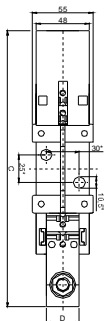
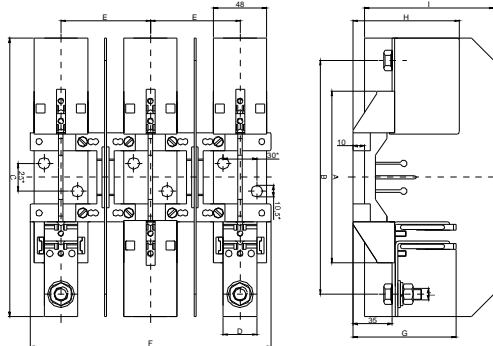


### 3. Mjerne skice / Dimension drawings

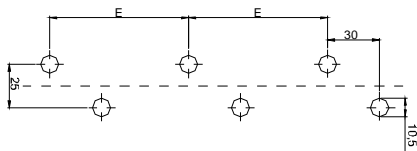
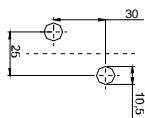
2PLNV - 1/1, 2PLNV - 2/1,  
2PLNV - 3/1



2PLNV - 1/3, 2PLNV - 2/3, 2PLNV - 3/3



Dimenzije za montažu  
Mounting dimensions



2PLNV - 1/1, 2PLNV - 2/1, 2PLNV - 3/1

2PLNV - 1/3, 2PLNV - 2/3, 2PLNV - 3/3

Dimenzije su u mm / Dimensions in mm

Tip / Type	A	B	C	D	E	F	G	H	I	J
2PLNV - 1/1	140	175	200	25	-	-	76	82	-	M10
2PLNV - 2/1	154	200	230	30	-	-	83	87	-	M10
2PLNV - 3/1	154	210	250	30	-	-	91	95	-	M12
2PLNV - 1/3	140	175	200	25	65	187	76	82	103	M10
2PLNV - 2/3	154	200	230	30	65	187	83	87	112	M10
2PLNV - 3/3	154	210	250	30	80	217	91	95	126	M12

Str. / Page: 4

## Upute za montažu Installation instruction



### 1. Podnožje osigurača 2PLNV-1, 2, 3 i pribor 2PLNV-1, 2, 3 fuse-base and accessories

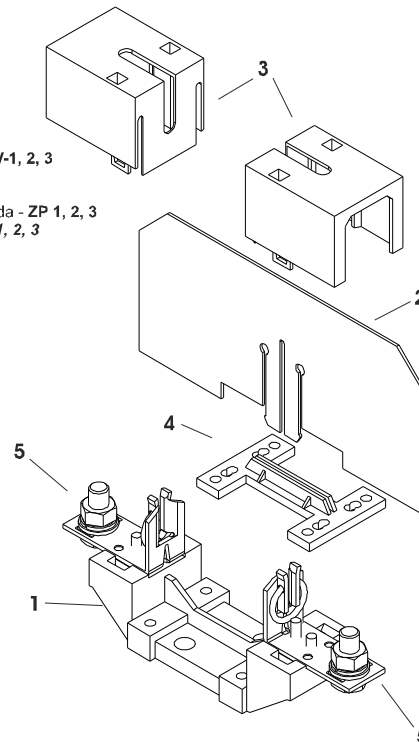
1. Podnožje osigurača - 2PLNV-1, 2, 3  
Fuse-base - 2PLNV-1, 2, 3

2. Međufazna i završna pregrada - ZP 1, 2, 3  
Phase and end barrier - ZP 1, 2, 3

3. Zaštitna kapa - IK 1, 2, 3  
Protective cap - IK 1, 2, 3

4. Spojnica podnožja - SP 123  
Base clip - SP 123

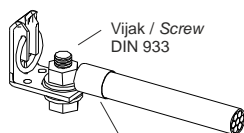
5. Prikjučak  
Terminal



Str. / Page: 1

## 2. Tipovi priključaka / Type of terminals

### a) Vijčani priključak / Screw terminal



Tip Type	Vijak Screw	Moment prizivanja Rated torque
2PLNV-1	M10	30-35 Nm
2PLNV-2	M10	30-35 Nm
2PLNV-3	M12	35-40 Nm

Kabelska stopica / Cable lug

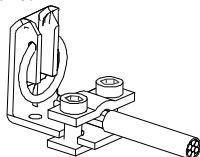
UPOZORENJE!  
PRITISKANJE IZVRŠITI  
SADVA KLJUČA!



CAUTION!  
SCREW ON WITH  
TWO SCREW - KEYS!

### b) Obuhvatna stezaljka / Clip type terminal

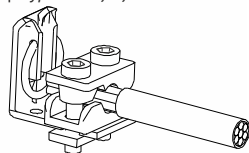
Tip/Type - OS12



Tip podnožja Type of fuse-base	Tip stezaljke Type of terminal	Priključni presjek Clamping range	Moment prizivanja Rated torque
2PLNV-1	OS12	25-150mm <sup>2</sup>	4,5-9,5 Nm
2PLNV-2	OS12	25-150mm <sup>2</sup>	4,5-9,5 Nm

### c) Prizma stezaljka - jednostruka / Prism clamp - single

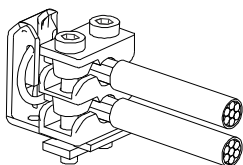
Tip/Type - P1, 2, 3



Tip podnožja Type of fuse-base	Tip stezaljke Type of terminal	Priključni presjek Clamping range	Moment prizivanja Rated torque
2PLNV-1	P1	70-150mm <sup>2</sup>	4,5 Nm
2PLNV-2	P2	120-240mm <sup>2</sup>	11 Nm
2PLNV-3	P3	120-300mm <sup>2</sup>	11 Nm

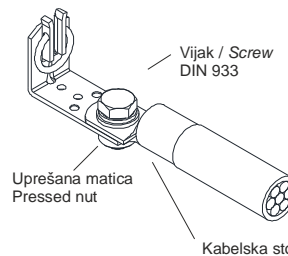
### d) Prizma stezaljka - dvostruka / Prism clamp - double

Tip/Type - P12,22,32



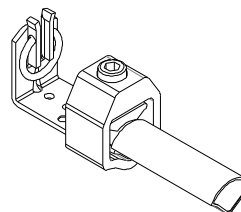
Tip podnožja Type of fuse-base	Tip stezaljke Type of terminal	Priključni presjek Clamping range	Moment prizivanja Rated torque
2PLNV-1	P12	70-95mm <sup>2</sup>	4,5 Nm
2PLNV-2	P22	120-150mm <sup>2</sup>	11 Nm
2PLNV-3	P32	120-240mm <sup>2</sup>	11 Nm

### e) Uprešana matica / Pressed nut



Tip Type	Vijak Screw	Moment prizivanja Rated torque
2PLNV-1	M10	30-35 Nm
2PLNV-2	M10	30-35 Nm
2PLNV-3	M12	35-40 Nm

### f) V - stezaljka / V - shaped clamp



Tip podnožja Type of fuse-base	Tip stezaljke Type of terminal	Priključni presjek Clamping range	Moment prizivanja Rated torque
2PLNV-1	V	50-240mm <sup>2</sup>	20-25 Nm
2PLNV-2	V	50-240mm <sup>2</sup>	20-25 Nm