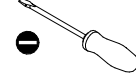
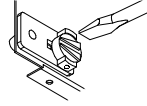


CP X-1.5 M

for **MODULAR DIN-RAIL DEVICES**
(osłony modułowe)

- (GB) Mounting instructions
- (DE) Montageanleitung
- (SI) Navodilo za montažo
- (PL) Instrukcje montażu
- (HR) Upute za montažu
- (CZ) Montážní návod
- (SK) Navod na montáž
- (HU) Szerelési utmutató
- (LT) Montavimo instrukcija
- (RU) Инструкция за монтаж
- (LV) Montāžas instrukcija
- (EST) Paigaldusjuhend

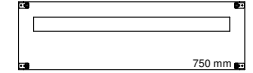


Screwdriver flat-blade
(Wkrętarz płaski)

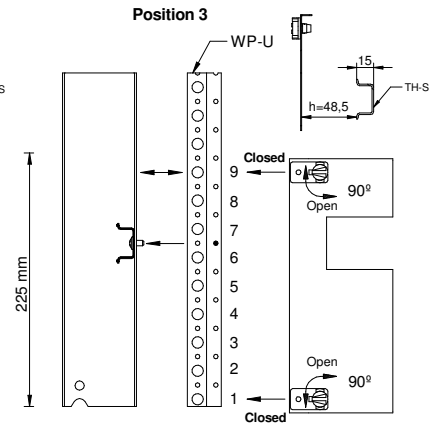
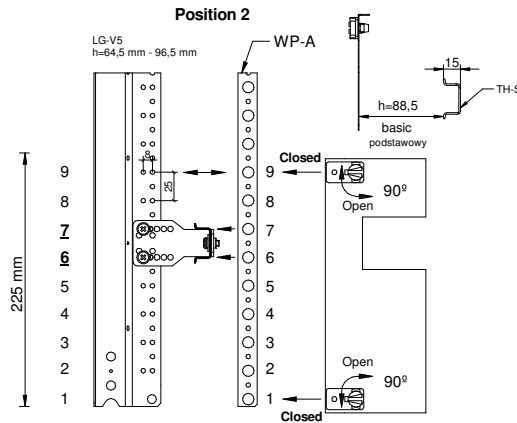
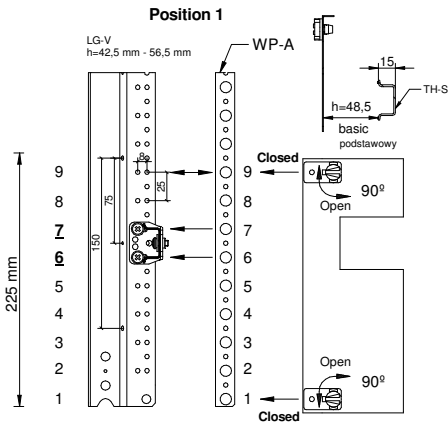
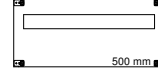
CP 1-1.5 M 001101458



CP 3-1.5 M 001101460



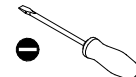
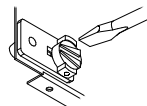
CP 2-1.5 M 001101459



CP X-1.5 M

for **MODULAR DIN-RAIL DEVICES**
(osłony modułowe)

- (GB) Mounting instructions
- (DE) Montageanleitung
- (SI) Navodilo za montažo
- (PL) Instrukcje montażu
- (HR) Upute za montažu
- (CZ) Montážní návod
- (SK) Navod na montáž
- (HU) Szerelési utmutató
- (LT) Montavimo instrukcija
- (RU) Инструкция за монтаж
- (LV) Montāžas instrukcija
- (EST) Paigaldusjuhend

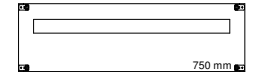


Screwdriver flat-blade
(Wkrętarz płaski)

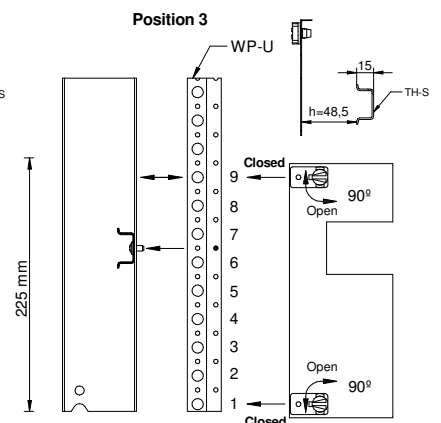
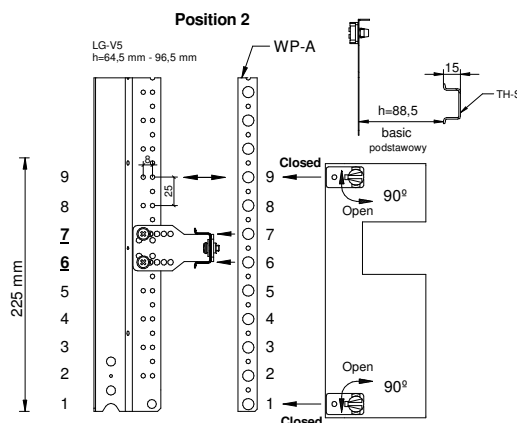
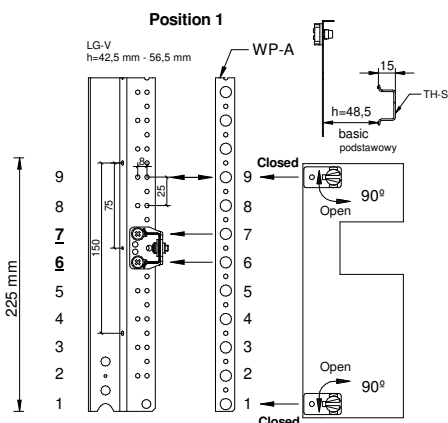
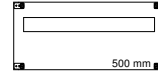
CP 1-1.5 M 001101458



CP 3-1.5 M 001101460



CP 2-1.5 M 001101459



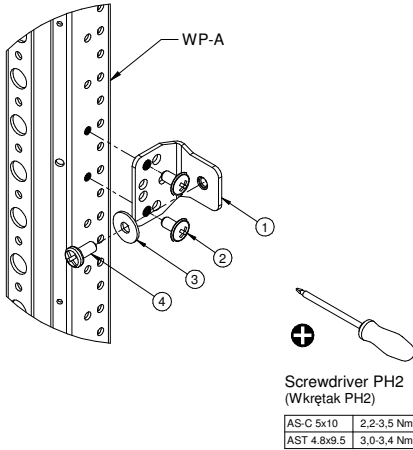
CP X-1.5 M

| WP-A | | | |
|------|-------------|------------------------|------|
| No. | Type ETI | Name | Pcs. |
| 1 | LG-V | Support | 2 |
| 2 | AST 4.8x9.5 | Tapping screw | 4 |
| 3 | AW-RE 5 | Washer M5 DIN9021 Zn | 2 |
| 4 | AS-C 5x10 | Screw M5x10 DIN7985 Zn | 2 |

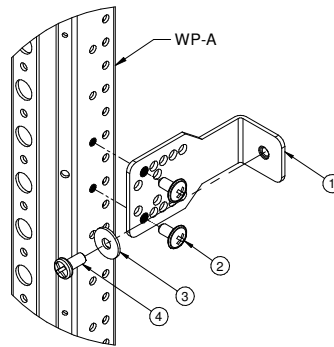
| WP-A | | | |
|------|-------------|------------------------|------|
| No. | Type ETI | Name | Pcs. |
| 1 | LG-V5 | Support | 2 |
| 2 | AST 4.8x9.5 | Tapping screw | 4 |
| 3 | AW-RE 5 | Washer M5 DIN9021 Zn | 2 |
| 4 | AS-C 5x10 | Screw M5x10 DIN7985 Zn | 2 |

| WP-U | | | |
|------|-------------|---------------|------|
| No. | Type ETI | Name | Pcs. |
| 1 | AST 4.8x9.5 | Tapping screw | 2 |

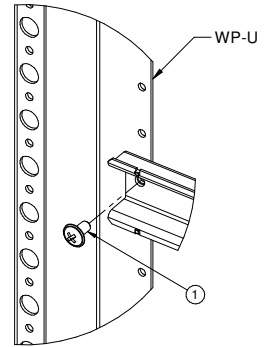
Position 1



Position 2



Position 3



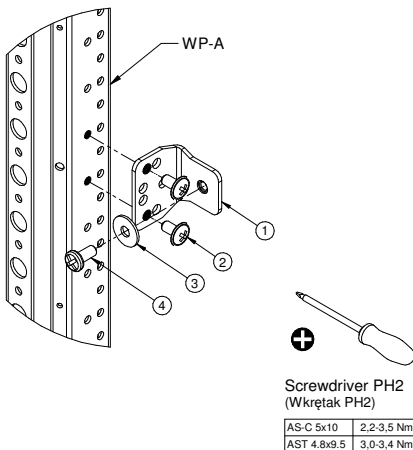
CP X-1.5 M

| WP-A | | | |
|------|-------------|------------------------|------|
| No. | Type ETI | Name | Pcs. |
| 1 | LG-V | Support | 2 |
| 2 | AST 4.8x9.5 | Tapping screw | 4 |
| 3 | AW-RE 5 | Washer M5 DIN9021 Zn | 2 |
| 4 | AS-C 5x10 | Screw M5x10 DIN7985 Zn | 2 |

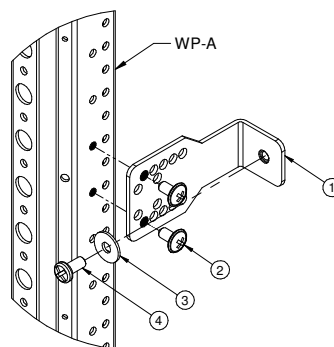
| WP-A | | | |
|------|-------------|------------------------|------|
| No. | Type ETI | Name | Pcs. |
| 1 | LG-V5 | Support | 2 |
| 2 | AST 4.8x9.5 | Tapping screw | 4 |
| 3 | AW-RE 5 | Washer M5 DIN9021 Zn | 2 |
| 4 | AS-C 5x10 | Screw M5x10 DIN7985 Zn | 2 |

| WP-U | | | |
|------|-------------|---------------|------|
| No. | Type ETI | Name | Pcs. |
| 1 | AST 4.8x9.5 | Tapping screw | 2 |

Position 1



Position 2



Position 3

