

ETICEE

| | |
|------------------------------|-----|
| Distribution boxes EDS | 950 |
| Industrial plug-in equipment | 952 |
| Technical data | 959 |

INDUSTRIAL PLUG-IN EQUIPMENT



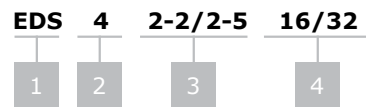
Distribution boxes EDS

Distribution boxes EDS

Degree of protection - IP 44, IP 54
 Nominal current 16 A, 32 A / 5P
 Nominal voltage 250 V
 Mechanical resistance of boxes IK 07, IK 09, IK 10
 Products do not contain substances banned under the RoHS directive.

Ordering:

1 - type
 2 - number of modules
 3 - 2 x schuko version / 2 x 5 poles
 4 - Nominal current 16A, 32A



EDS 4 mini IP44

| Type | Code No. | Sockets applied | | | Circuit breakers | | | Degree of protection IP | Weight [kg] | Packaging [pcs] |
|------------------|-----------|-----------------|--------|-------------|------------------|-------|-------|-------------------------|-------------|-----------------|
| | | 16A/5P | 32A/5P | Schuko 250V | C16/1 | C16/3 | C32/3 | | | |
| EDS4m 2-2/1-5 16 | 004483110 | 1 | | 2 | 1 | 1 | | 44 | 0,4 | 1 |
| EDS4m 2-2/1-5 32 | 004483111 | | 1 | 2 | 1 | | 1 | 44 | 0,4 | 1 |



EDS 4 IP44

| Type | Code No. | Sockets applied | | | Circuit breakers | | | Degree of protection IP | Weight [kg] | Packaging [pcs] |
|--------------------|-----------|-----------------|--------|-------------|------------------|-------|-------|-------------------------|-------------|-----------------|
| | | 16A/5P | 32A/5P | Schuko 250V | C16/1 | C16/3 | C32/3 | | | |
| EDS4 2-2/2-5 16 | 004483100 | 2 | | 2 | 1 | 1 | | 44 | 0,5 | 1 |
| EDS4 2-2/2-5 32 | 004483101 | | 2 | 2 | 1 | | 1 | 44 | 0,5 | 1 |
| EDS4 2-2/2-5 16/32 | 004483102 | 1 | 1* | 2 | 1 | 1 | | 44 | 0,5 | 1 |

*Socket 32A/5P - protected with 16A MCB!



EDS 4 H with handle IP44

| Type | Code No. | Sockets applied | | | Circuit breakers | | | Degree of protection IP | Weight [kg] | Packaging [pcs] |
|---------------------|-----------|-----------------|--------|-------------|------------------|-------|-------|-------------------------|-------------|-----------------|
| | | 16A/5P | 32A/5P | Schuko 250V | C16/1 | C16/3 | C32/3 | | | |
| EDS4H 2-2/2-5 16 | 004483120 | 2 | | 2 | 1 | 1 | | 44 | 0,5 | 1 |
| EDS4H 2-2/2-5 32 | 004483121 | | 2 | 2 | 1 | | 1 | 44 | 0,5 | 1 |
| EDS4H 2-2/2-5 16/32 | 004483122 | 1 | 1* | 2 | 1 | 1 | | 44 | 0,5 | 1 |

*Socket 32A/5P - protected with 16A MCB!



EDS 5 IP54

| Type | Code No. | Sockets applied | | | Circuit breakers | | | Degree of protection IP | Weight [kg] | Packaging [pcs] |
|-----------------|-----------|-----------------|--------|-------------|------------------|-------|-------|-------------------------|-------------|-----------------|
| | | 16A/5P | 32A/5P | Schuko 250V | C16/1 | C16/3 | C32/3 | | | |
| EDS5 2-2/1-5 16 | 004483150 | 1 | | 2 | 2 | 1 | | 54 | 0,7 | 1 |
| EDS5 2-2/1-5 32 | 004483151 | | 1 | 2 | 2 | | 1 | 54 | 0,7 | 1 |

Distribution boxes EDS

EDS 7 IP54

| Type | Code No. | Sockets applied | | | Circuit breakers | | | Degree of protection IP | Weight [kg] | Packaging [pcs] |
|--------------------|-----------|-----------------|--------|-------------|------------------|-------|-------|-------------------------|-------------|-----------------|
| | | 16A/5P | 32A/5P | Schuko 250V | C16/1 | C16/3 | C32/3 | | | |
| EDS7 1-2/2-5 16/32 | 004483200 | 1 | 1 | 1 | 1 | 1 | 1 | 54 | 0,9 | 1 |

With cam switch - see technical data



EDS 8 IP44

| Type | Code No. | Sockets applied | | | Circuit breakers | | | RCD 3 phase | Degree of protection IP | Weight [kg] | Packaging [pcs] |
|-----------------------|-----------|-----------------|--------|-------------|------------------|-------|-------|-------------|-------------------------|-------------|-----------------|
| | | 16A/5P | 32A/5P | Schuko 250V | C16/1 | C16/3 | C32/3 | | | | |
| EDS8 2-2/1-5 16* | 004483250 | 1 | | 2 | 1 | 1 | | | 44 | 1 | 1 |
| EDS8 2-2/1-5 32* | 004483251 | | 1 | 2 | 1 | | 1 | | 44 | 1 | 1 |
| EDS8 6-2/0-5 16* | 004483252 | | | 6 | 6 | | | | 44 | 1 | 1 |
| EDS8 RCD 2-2/1-5 16** | 004483253 | 1 | | 2 | 1 | 1 | | 1 | 44 | 1 | 1 |
| EDS8 RCD 2-2/1-5 32** | 004483254 | | 1 | 2 | 1 | | 1 | 1 | 44 | 1 | 1 |
| EDS8 RCD 3-2/0-0 16** | 004483255 | | | 6 | 3 | | | 1 | 44 | 1 | 1 |

*with switch

**with RCD



EDS 8H with handle IP44

| Type | Code No. | Sockets applied | | | Circuit breakers | | | RCD 3 phase | Degree of protection IP | Weight [kg] | Packaging [pcs] |
|------------------------|-----------|-----------------|--------|-------------|------------------|-------|-------|-------------|-------------------------|-------------|-----------------|
| | | 16A/5P | 32A/5P | Schuko 250V | C16/1 | C16/3 | C32/3 | | | | |
| EDS8H 2-2/1-5 16* | 004483280 | 1 | | 2 | 1 | 1 | | | 44 | 1,2 | 1 |
| EDS8H 2-2/1-5 32* | 004483281 | | 1 | 2 | 1 | | 1 | | 44 | 1,2 | 1 |
| EDS8H 6-2/0-5 16* | 004483282 | | | 6 | 6 | | | | 44 | 1,2 | 1 |
| EDS8H RCD 2-2/1-5 16** | 004483283 | 1 | | 2 | 1 | 1 | | 1 | 44 | 1,2 | 1 |
| EDS8H RCD 2-2/1-5 32** | 004483284 | | 1 | 2 | 1 | | 1 | 1 | 44 | 1,2 | 1 |
| EDS8H RCD 6-2/0-5 16** | 004483285 | | | 6 | 3 | | | 1 | 44 | 1,2 | 1 |

*with switch

**with RCD

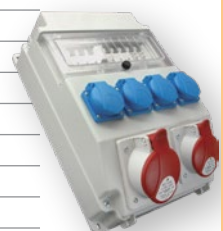


EDS 11 IP54

| Type | Code No. | Sockets applied | | | Circuit breakers | | | RCD 3 phase | Degree of protection IP | Weight [kg] | Packaging [pcs] |
|---------------------------|-----------|-----------------|--------|-------------|------------------|-------|-------|-------------|-------------------------|-------------|-----------------|
| | | 16A/5P | 32A/5P | Schuko 250V | C16/1 | C16/3 | C32/3 | | | | |
| EDS11 4-2/2-5 16* | 004483300 | 2 | | 4 | 4 | 2 | | | 54 | 2 | 1 |
| EDS11 4-2/2-5 32* | 004483301 | | 2 | 4 | 4 | | 2 | | 54 | 2 | 1 |
| EDS11 4-2/2-5 16/32* | 004483302 | 1 | 1 | 4 | 4 | 1 | 1 | | 54 | 2 | 1 |
| EDS11 0-2/4-5 16* | 004483303 | 4 | | | | 3 | | | 54 | 2 | 1 |
| EDS11 0-2/4-5 32* | 004483304 | | 4 | | | | 3 | | 54 | 2 | 1 |
| EDS11 0-2/4-5 16/32* | 004483305 | 2 | 2 | | | 1 | 2 | | 54 | 2 | 1 |
| EDS11 2-2/3-5 16/32 | 004483306 | 2 | 1 | 2 | 2 | 2 | 1 | | 54 | 2 | 1 |
| EDS11 2-2/3-5 32/16 | 004483307 | 1 | 2 | 2 | 2 | 1 | 2 | | 54 | 2 | 1 |
| EDS11 7-2/0-5 16* | 004483308 | | | 7 | 7 | | | | 54 | 2 | 1 |
| EDS11 RCD 4-2/2-5 16** | 004483309 | 2 | | 4 | 4 | 1 | | 1 | 54 | 2 | 1 |
| EDS11 RCD 4-2/2-5 32** | 004483310 | | 2 | 4 | 4 | | 1 | 1 | 54 | 2 | 1 |
| EDS11 RCD 0-2/3-5 16** | 004483311 | 4 | | | | 2 | | 1 | 54 | 2 | 1 |
| EDS11 RCD 0-2/3-5 32** | 004483312 | | 4 | | | | 2 | 1 | 54 | 2 | 1 |
| EDS11 RCD 0-2/3-5 16/32** | 004483313 | 2 | 2 | | | 1 | 1 | 1 | 54 | 2 | 1 |
| EDS11 RCD 2-2/3-5 16/32** | 004483314 | 2 | 1 | 2 | 1 | 1 | 1 | 1 | 54 | 2 | 1 |
| EDS11 RCD 2-2/3-5 32/16** | 004483315 | 1 | 2 | 2 | 1 | 1 | 1 | 1 | 54 | 2 | 1 |
| EDS11 RCD 7-2/0-5 16** | 004483316 | | | 7 | 7 | | | 1 | 54 | 2 | 1 |

*with switch

**with RCD



Industrial plug-in equipment

Benefits:

- reliable and safe
- ambient temperature -25 °C to +40 °C
- high temperature tolerance up to 125 for "live" parts
- the right colors with the standards

Application - Our industrial plugs and sockets have been designed to connect electrical devices and consumers to low voltage in a broad spectrum of human activities. They are frequently applied in civil engineering, electric assembly sector, engineering industry, chemical and cosmetic industry, pharmaceutical industry and health service, agriculture, food industry and textile industry, as well as in cinemas, theatres, sports facilities, holiday resorts, etc.

IP44 series



ES 1643



ES 1632



EZ 1643



EZ 3232



EZCZ 1653

| Connecting sockets IP44 | | | | |
|-------------------------|-----------|--------------------|-------------|-----------------|
| Type | Code No. | Description | Weight [kg] | Packaging [pcs] |
| ES 1632 | 004482000 | 16A, 230V, 2P+PE | 0,17 | 12 |
| ES 1643 | 004482001 | 16A, 400V, 3P+PE | 0,18 | 12 |
| ES 1653 | 004482002 | 16A, 400V, 3P+N+PE | 0,20 | 12 |
| ES 3232 | 004482003 | 32A, 230V, 2P+PE | 0,24 | 10 |
| ES 3243 | 004482004 | 32A, 400V, 3P+PE | 0,29 | 9 |
| ES 3253 | 004482005 | 32A, 400V, 3P+N+PE | 0,31 | 9 |

| Wall sockets IP44 | | | | |
|-------------------|-----------|--------------------|-------------|-----------------|
| Type | Code No. | Description | Weight [kg] | Packaging [pcs] |
| EZ 1632 | 004482034 | 16A, 230V, 2P+PE | 0,19 | 9 |
| EZ 1643 | 004482035 | 16A, 400V, 3P+PE | 0,21 | 9 |
| EZ 1653 | 004482036 | 16A, 400V, 3P+N+PE | 0,22 | 9 |
| EZ 3232 | 004482037 | 32A, 230V, 2P+PE | 0,26 | 12 |
| EZ 3243 | 004482038 | 32A, 400V, 3P+PE | 0,30 | 6 |
| EZ 3253 | 004482039 | 32A, 400V, 3P+N+PE | 0,35 | 6 |

| Combinated sockets IP44 | | | | |
|-------------------------|-----------|---|-------------|-----------------|
| Type | Code No. | Description | Weight [kg] | Packaging [pcs] |
| EZCZ-S 1643 | 004482050 | 16A, 400V/230V, 3P+PE plus EE 16S Schuko IP44 | 0,34 | 6 |
| EZCZ-S 1653 | 004482051 | 16A, 400V/230V, 3P+N+PE plus EE 16S Schuko IP44 | 0,36 | 6 |
| EZCZ-S 3243 | 004482052 | 32A, 400V/230V, 3P+PE plus EE 16S Schuko IP44 | 0,42 | 4 |
| EZCZ-S 3253 | 004482053 | 32A, 400V/230V, 3P+N+PE plus EE 16S Schuko IP44 | 0,45 | 4 |

Built-in sockets IP54

| Type | Code No. | Description | Weight [kg] | Packaging [pcs] |
|---------|-----------|--------------------|-------------|-----------------|
| EE 1632 | 004482076 | 16A, 230V, 2P+PE | 0,12 | 12 |
| EE 1643 | 004482077 | 16A, 400V, 3P+PE | 0,12 | 12 |
| EE 1653 | 004482078 | 16A, 400V, 3P+N+PE | 0,14 | 12 |
| EE 3232 | 004482079 | 32A, 230V, 2P+PE | 0,18 | 12 |
| EE 3243 | 004482080 | 32A, 400V, 3P+PE | 0,19 | 12 |
| EE 3253 | 004482081 | 32A, 400V, 3P+N+PE | 0,21 | 12 |



EE 1643



EE 1632

Built-in sockets IP54, STRAIGHT

| Type | Code No. | Description | Weight [kg] | Packaging [pcs] |
|----------|-----------|--------------------|-------------|-----------------|
| EER 1632 | 004482128 | 16A, 230V, 2P+PE | 0,13 | 6 |
| EER 1643 | 004482092 | 16A, 400V, 3P+PE | 0,15 | 6 |
| EER 1653 | 004482093 | 16A, 400V, 3P+N+PE | 0,16 | 6 |
| EER 3243 | 004482094 | 32A, 400V, 3P+PE | 0,21 | 12 |
| EER 3253 | 004482095 | 32A, 400V, 3P+N+PE | 0,23 | 12 |



EER 1643



EER 1632

Flush mounted boxes with socket IP44

| Type | Code No. | Description | Weight [kg] | Packaging [pcs] |
|----------|-----------|---------------------|-------------|-----------------|
| EZB 165 | 004482097 | 16A, 250V, (Schuko) | 0,18 | 8 |
| EZB 1643 | 004482098 | 16A, 400V | 0,28 | 8 |
| EZB 1653 | 004482099 | 16A, 400V | 0,28 | 8 |
| EZB 3243 | 004482100 | 32A, 400V | 0,33 | 8 |
| EZB 3253 | 004482101 | 32A, 400V | 0,34 | 8 |



EZB 16

Surface mounted boxes with socket IP44

| Type | Code No. | Description | Weight [kg] | Packaging [pcs] |
|-----------|-----------|---------------------|-------------|-----------------|
| EZBN 165 | 004482103 | 16A, 250V, (Schuko) | 0,221 | 8 |
| EZBN 1643 | 004482104 | 16A, 400V | 0,317 | 8 |
| EZBN 1653 | 004482105 | 16A, 400V | 0,328 | 8 |
| EZBN 3243 | 004482106 | 32A, 400V | 0,37 | 8 |
| EZBN 3253 | 004482107 | 32A, 400V | 0,39 | 8 |



EZBN 16



EV 3253



EV 1632



EVO 1653



ER 3253



ER 1632



ERR 1643



ERR 1632

Plugs IP44

| Type | Code No. | Description | Weight [kg] | Packaging [pcs] |
|---------|-----------|--------------------|-------------|-----------------|
| EV 1632 | 004482016 | 16A, 230V, 2P+PE | 0,128 | 14 |
| EV 1643 | 004482017 | 16A, 400V, 3P+PE | 0,145 | 14 |
| EV 1653 | 004482018 | 16A, 400V, 3P+N+PE | 0,159 | 14 |
| EV 3232 | 004482019 | 32A, 230V, 2P+PE | 0,193 | 10 |
| EV 3243 | 004482020 | 32A, 400V, 3P+PE | 0,235 | 10 |
| EV 3253 | 004482021 | 32A, 400V, 3P+N+PE | 0,261 | 10 |

Reversing plugs IP44

| Type | Code No. | Description | Weight [kg] | Packaging [pcs] |
|----------|-----------|--------------------|-------------|-----------------|
| EVO 1653 | 004482022 | 16A, 400V, 3P+N+PE | 0,156 | 14 |
| EVO 3253 | 004482023 | 32A, 400V, 3P+N+PE | 0,259 | 10 |

Built-in appliance inlets IP44, ANGLED

| Type | Code No. | Description | Weight [kg] | Packaging [pcs] |
|---------|-----------|--------------------|-------------|-----------------|
| ER 1632 | 004482129 | 16A, 230V, 2P+PE | 0,122 | 12 |
| ER 1643 | 004482130 | 16A, 400V, 3P+PE | 0,144 | 12 |
| ER 1653 | 004482131 | 16A, 400V, 3P+N+PE | 0,153 | 12 |
| ER 3232 | 004482109 | 32A, 230V, 2P+PE | 0,122 | 12 |
| ER 3243 | 004482132 | 32A, 400V, 3P+PE | 0,196 | 12 |
| ER 3253 | 004482133 | 32A, 400V, 3P+N+PE | 0,234 | 12 |

Built-in appliance inlets IP44, STRAIGHT

| Type | Code No. | Description | Weight [kg] | Packaging [pcs] |
|-----------|-----------|-----------------------------------|-------------|-----------------|
| ERR 1632 | 004482108 | 16A, 230V, 2P+PE | 0,093 | 6 |
| ERR 1643 | 004482110 | 16A, 400V, 3P+PE | 0,113 | 6 |
| ERR 1653 | 004482111 | 16A, 400V, 3P+N+PE | 0,127 | 6 |
| ERR 3243 | 004482112 | 32A, 400V, 3P+PE | 0,156 | 6 |
| ERR 3253 | 004482113 | 32A, 400V, 3P+N+PE | 0,179 | 6 |
| ERRO 1653 | 004482114 | 16A, 400V, 3P+N+PE, phase reverse | 0,127 | 6 |
| ERRO 3253 | 004482115 | 32A, 400V, 3P+N+PE, phase reverse | 0,183 | 6 |

| Wall plugs IP44 | | | | |
|-----------------|-----------|-----------------------------------|-------------|-----------------|
| Type | Code No. | Description | Weight [kg] | Packaging [pcs] |
| EP 1632 | 004482058 | 16A, 230V, 2P+PE | 0,156 | 9 |
| EP 1643 | 004482059 | 16A, 400V, 3P+PE | 0,17 | 9 |
| EP 1653 | 004482060 | 16A, 400V, 3P+N+PE | 0,184 | 9 |
| EP 3232 | 004482061 | 32A, 230V, 2P+PE | 0,202 | 12 |
| EP 3243 | 004482062 | 32A, 400V, 3P+PE | 0,249 | 6 |
| EP 3253 | 004482063 | 32A, 400V, 3P+N+PE | 0,273 | 6 |
| EPO 1653 | 004482064 | 16A, 400V, 3P+N+PE, phase reverse | 0,2 | 9 |
| EPO 3253 | 004482065 | 32A, 400V, 3P+N+PE, phase reverse | 0,291 | 6 |



EP 1643



EPO 1653

IP67 series

| Connecting sockets IP67 | | | | |
|-------------------------|-----------|---------------------|-------------|-----------------|
| Type | Code No. | Description | Weight [kg] | Packaging [pcs] |
| ESH 1632 | 004482006 | 16A, 230V, 2P+PE | 0,178 | 10 |
| ESH 1643 | 004482007 | 16A, 400V, 3P+PE | 0,189 | 10 |
| ESH 1653 | 004482008 | 16A, 400V, 3P+N+PE | 0,224 | 10 |
| ESH 3232 | 004482009 | 32A, 230V, 2P+PE | 0,298 | 12 |
| ESH 3243 | 004482010 | 32A, 400V, 3P+PE | 0,285 | 12 |
| ESH 3253 | 004482011 | 32A, 400V, 3P+N+PE | 0,324 | 12 |
| ESH 6343 | 004482012 | 63A, 400V, 3P+PE | 0,615 | 10 |
| ESH 6353 | 004482013 | 63A, 400V, 3P+N+PE | 0,976 | 2 |
| ESH 12543 | 004482014 | 125A, 400V, 3P+PE | 1,16 | 2 |
| ESH 12553 | 004482015 | 125A, 400V, 3P+N+PE | 1,25 | 2 |



ESH 1643



ESH 12543



EZH 6353



EZH 1632



EZH 12543

| Wall sockets IP67 | | | | |
|-------------------|-----------|---------------------|-------------|-----------------|
| Type | Code No. | Description | Weight [kg] | Packaging [pcs] |
| EZH 1632 | 004482040 | 16A, 230V, 2P+PE | 0,255 | 9 |
| EZH 1643 | 004482041 | 16A, 400V, 3P+PE | 0,273 | 9 |
| EZH 1653 | 004482042 | 16A, 400V, 3P+N+PE | 0,321 | 9 |
| EZH 3232 | 004482043 | 32A, 230V, 2P+PE | 0,418 | 12 |
| EZH 3243 | 004482044 | 32A, 400V, 3P+PE | 0,42 | 12 |
| EZH 3253 | 004482045 | 32A, 400V, 3P+N+PE | 0,456 | 12 |
| EZH 6343 | 004482046 | 63A, 400V, 3P+PE | 0,802 | 4 |
| EZH 6353 | 004482047 | 63A, 400V, 3P+N+PE | 1,178 | 4 |
| EZH 12543 | 004482048 | 125A, 400V, 3P+PE | 1,9 | 1 |
| EZH 12553 | 004482049 | 125A, 400V, 3P+N+PE | 1,95 | 1 |



EEH 6353



EEH 1632



EEH 12553



EVH 1643



EVH 1632



EVH 12553

Built-in sockets IP67

| Type | Code No. | Description | Weight [kg] | Packaging [pcs] |
|-----------|-----------|---------------------|-------------|-----------------|
| EEH 1632 | 004482082 | 16A, 230V, 2P+PE | 0,134 | 12 |
| EEH 1643 | 004482083 | 16A, 400V, 3P+PE | 0,152 | 12 |
| EEH 1653 | 004482084 | 16A, 400V, 3P+N+PE | 0,176 | 12 |
| EEH 3232 | 004482085 | 32A, 230V, 2P+PE | 0,226 | 12 |
| EEH 3243 | 004482086 | 32A, 400V, 3P+PE | 0,232 | 12 |
| EEH 3253 | 004482087 | 32A, 400V, 3P+N+PE | 0,268 | 12 |
| EEH 6343 | 004482088 | 63A, 400V, 3P+PE | 0,54 | 8 |
| EEH 6353 | 004482089 | 63A, 400V, 3P+N+PE | 0,638 | 8 |
| EEH 12543 | 004482090 | 125A, 400V, 3P+PE | 0,89 | 2 |
| EEH 12553 | 004482091 | 125A, 400V, 3P+N+PE | 0,99 | 2 |

Plugs IP67

| Type | Code No. | Description | Weight [kg] | Packaging [pcs] |
|-----------|-----------|---------------------|-------------|-----------------|
| EVH 1632 | 004482024 | 16A, 230V, 2P+PE | 0,129 | 12 |
| EVH 1643 | 004482025 | 16A, 400V, 3P+PE | 0,175 | 12 |
| EVH 1653 | 004482026 | 16A, 400V, 3P+N+PE | 0,198 | 12 |
| EVH 3232 | 004482027 | 32A, 230V, 2P+PE | 0,238 | 12 |
| EVH 3243 | 004482028 | 32A, 400V, 3P+PE | 0,243 | 12 |
| EVH 3253 | 004482029 | 32A, 400V, 3P+N+PE | 0,275 | 12 |
| EVH 6343 | 004482030 | 63A, 400V, 3P+PE | 0,623 | 8 |
| EVH 6353 | 004482031 | 63A, 400V, 3P+N+PE | 0,795 | 2 |
| EVH 12543 | 004482032 | 125A, 400V, 3P+PE | 1,05 | 2 |
| EVH 12553 | 004482033 | 125A, 400V, 3P+N+PE | 1,16 | 2 |

Wall plugs IP67

| Type | Code No. | Description | Weight [kg] | Packaging [pcs] |
|-----------|-----------|---------------------|-------------|-----------------|
| EPH 1632 | 004482066 | 16A, 230V, 2P+PE | 0,16 | 10 |
| EPH 1643 | 004482067 | 16A, 400V, 3P+PE | 0,198 | 10 |
| EPH 1653 | 004482068 | 16A, 400V, 3P+N+PE | 0,226 | 6 |
| EPH 3232 | 004482069 | 32A, 230V, 2P+PE | 0,28 | 12 |
| EPH 3243 | 004482070 | 32A, 400V, 3P+PE | 0,274 | 12 |
| EPH 3253 | 004482071 | 32A, 400V, 3P+N+PE | 0,307 | 3 |
| EPH 6343 | 004482072 | 63A, 400V, 3P+PE | 0,848 | 8 |
| EPH 6353 | 004482073 | 63A, 400V, 3P+N+PE | 1,016 | 4 |
| EPH 12543 | 004482074 | 125A, 400V, 3P+PE | 1,8 | 1 |
| EPH 12553 | 004482075 | 125A, 400V, 3P+N+PE | 1,84 | 1 |



EPH 1653



EPH 1632



EPH 6353

Accessories



EA 16-32/5

Adapters

| Type | Code No. | Description | Weight [kg] | Packaging [pcs] |
|--------------|-----------|---------------------------|-------------|-----------------|
| EA-1653/43 | 004482116 | 5p/4p | 0,284 | 9 |
| EA-3253/43 | 004482117 | 5p/4p | 0,457 | 6 |
| EA-1653/43-0 | 004482118 | 5p/4p, phase reverse | 0,284 | 9 |
| EA-3253/43-0 | 004482119 | 5p/4p, phase reverse | 0,47 | 6 |
| EA 16-32/4 | 004482120 | 4p | 0,343 | 8 |
| EA 16-32/5 | 004482121 | 5p | 0,386 | 8 |
| EA 16-32/5-0 | 004482122 | 16A/32A 5p, phase reverse | 0,386 | 8 |



EEH 16S

Built-in sockets schuko

| Type | Code No. | Description | Weight [kg] | Packaging [pcs] |
|---------|-----------|---------------|-------------|-----------------|
| EE 16S | 004482124 | IP54 | 0,043 | 12 |
| EEH 16S | 004482126 | 250V/16A IP67 | 0,079 | 12 |



EEVG 16

Unischuko plug

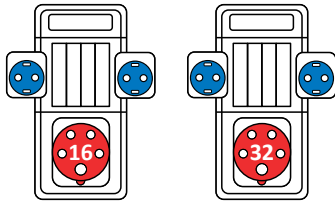
| Type | Code No. | Description | Weight [kg] | Packaging [pcs] |
|---------|-----------|-------------|-------------|-----------------|
| EEVG 16 | 004482127 | IP67 | 0,12 | 14 |

Distribution boxes EDS

Technical data

| | |
|--|-----------------|
| Degree of protection | IP 44, IP 54 |
| Nominal current | 16 A, 32 A / 5P |
| Nominal voltage | 250 V |
| Products do not contain substances banned under Rohs directive | |

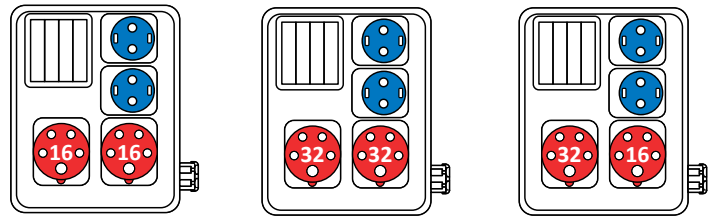
EDS 4 mini



EDS4m 2-2/1-5 16

EDS4m 2-2/1-5 32

EDS 4

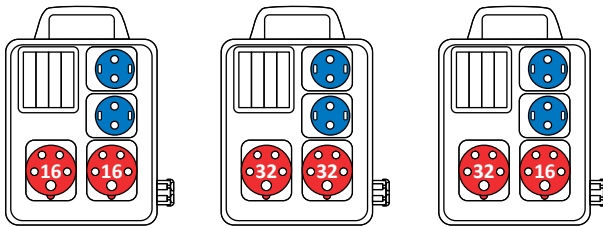


EDS4 2-2/2-5 16

EDS4 2-2/2-5 32

EDS4 2-2/2-5 16/32

EDS 4H

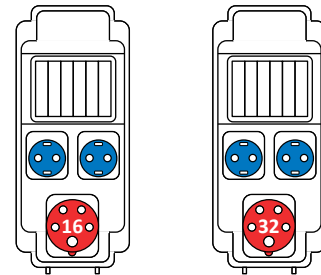


EDS4H 2-2/2-5 16

EDS4H 2-2/2-5 32

EDS4H 2-2/2-5 16/32

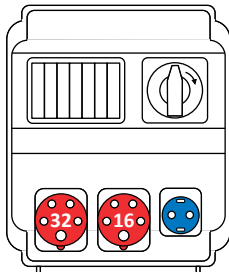
EDS 5



EDS5 2-2/1-5 16

EDS5 2-2/1-5 32

EDS 7

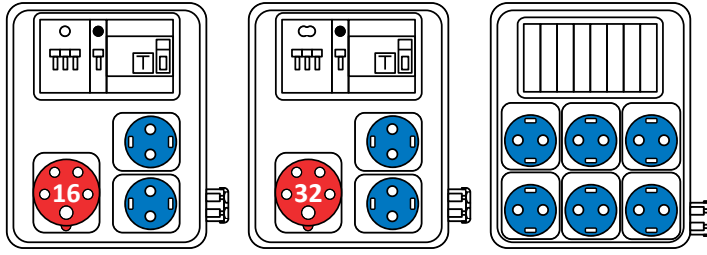


EDS7 1-2/2-5 16/32

Technical data - cam switches

| | | | |
|-------------------------------|--------------|------|-------|
| Current | 40A, 50/60Hz | | |
| Rated insulation voltage Ui | 690V | | |
| Rated operational currents Ie | AC-22A | 230V | 32A |
| | | 400V | 32A |
| | DC-21A | 24V | 32A |
| | | 110V | 16A |
| Operational power in AC 23 | 230V | 16A | 7,5kW |
| | | 12A | 13kW |
| | 400V | | |
| Standards | EN60947-3 | | |

EDS 8

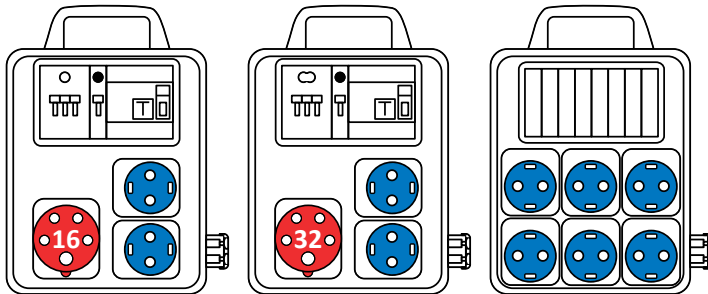


EDS8 RCD 2-2/1-5 16

EDS8 RCD 2-2/1-5 32

EDS8 6-2/0-5 16

EDS 8 H

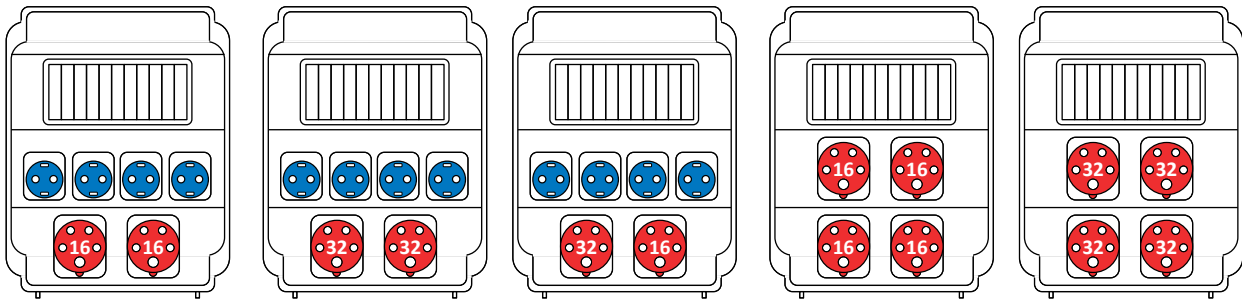


EDS8H RCD 2-2/1-5 16

EDS8H RCD 2-2/1-5 32

EDS8H 6-2/0-5 16

EDS 11



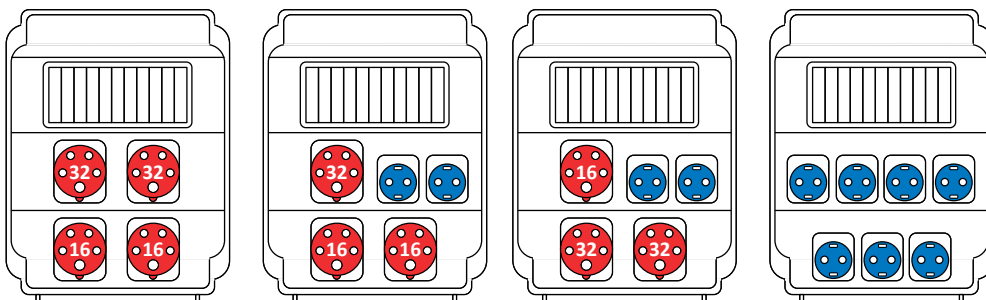
EDS11 4-2/2-5 16

EDS11 4-2/2-5 32

EDS11 4-2/2-5 16/32

EDS11 0-2/4-5 16

EDS11 0-2/4-5 32



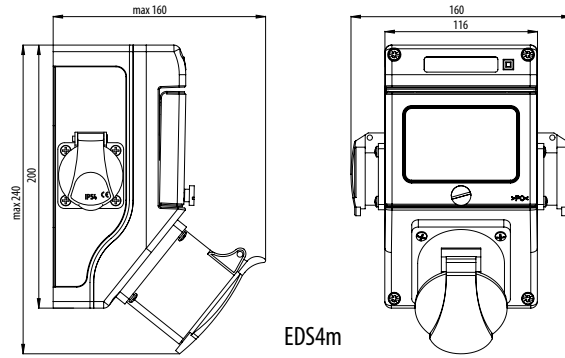
EDS11 0-2/4-5 16/32

EDS11 2-2/3-5 16/32

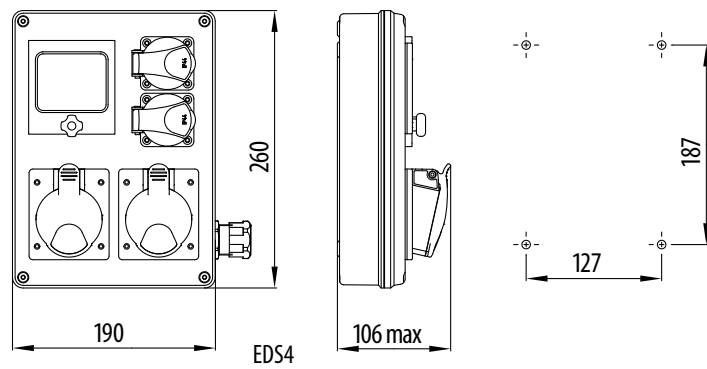
EDS11 2-2/3-5 32/16

EDS11 7-2/0-5 16

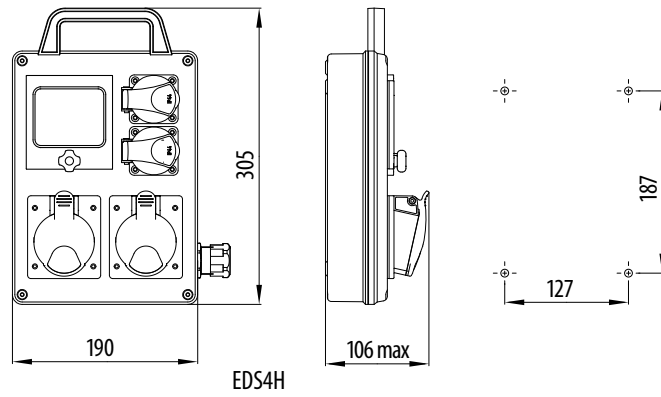
Dimensions



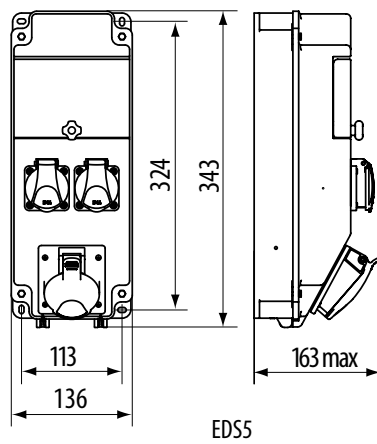
EDS4m



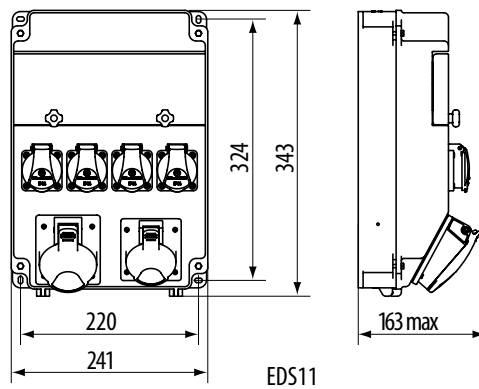
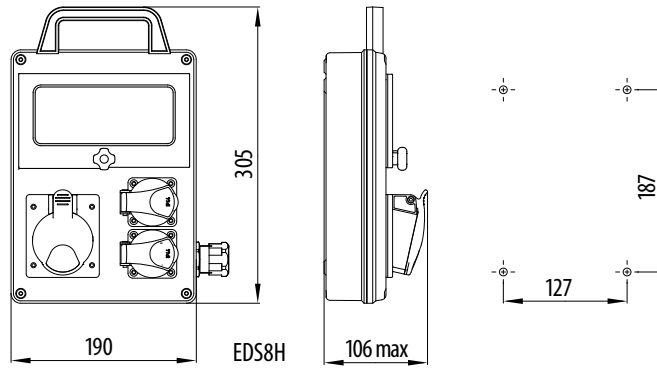
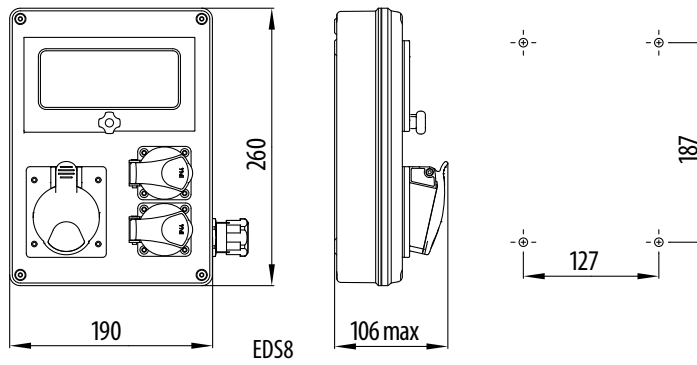
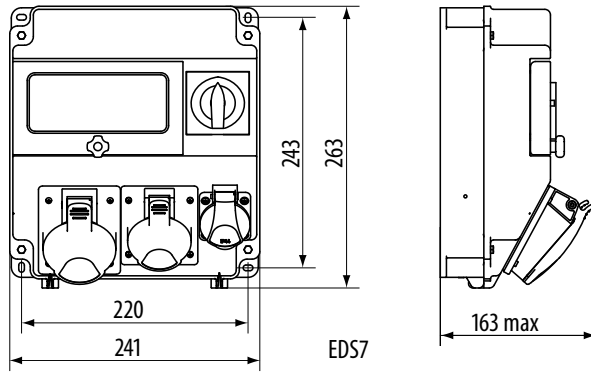
EDS4



EDS4H



EDS5



Technical data

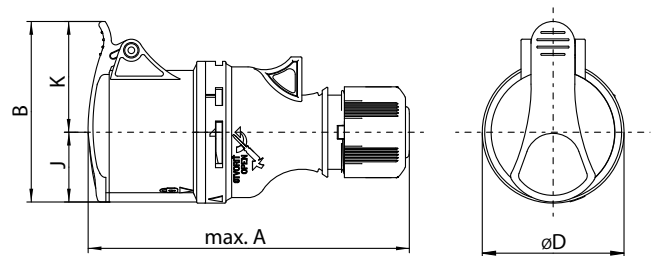
Industrial plug-in equipment

Technical data

| | |
|-----------------------|-------------------|
| Rated voltage U_n | 230V, 400V |
| Rated frequency f_n | 50 - 60Hz |
| Rated current I_n | 16, 32, 63, 125 A |
| Ambient temperature | -25°C ... +40°C |
| Standards | IEC 60309 - 1, 2 |

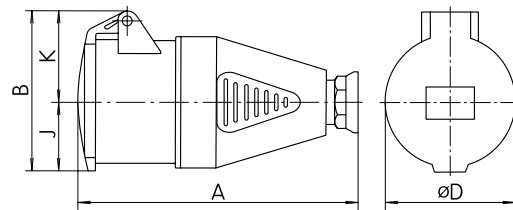
Connecting sockets IP44

| Type/(mm) | A | B | øD | J | K |
|-----------|-------|------|----|------|----|
| ES1632 | 145 | 79 | 64 | 29 | 50 |
| ES 1643 | 145 | 81,5 | 56 | 31,5 | 50 |
| ES 1653 | 145 | 89 | 64 | 35 | 54 |
| ES 3243 | 175,5 | 96 | 65 | 38 | 58 |
| ES 3253 | 179 | 103 | 73 | 41 | 62 |



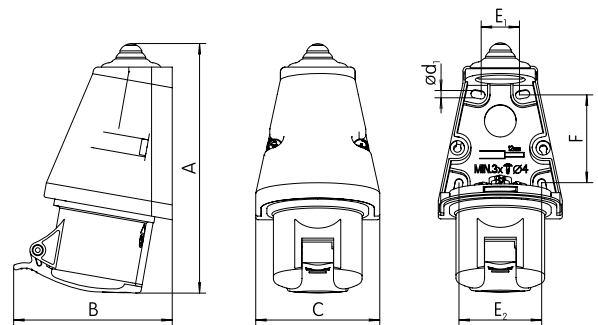
Connecting sockets IP44

| Type/(mm) | A | B | øD | J | K | Pg |
|-----------|-----|----|----|----|----|----|
| ES 3232 | 165 | 93 | 72 | 42 | 51 | 21 |



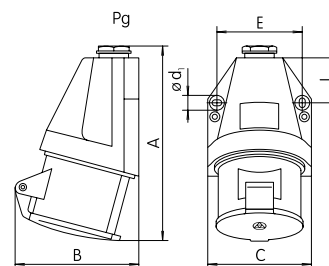
Wall sockets IP44

| Type/(mm) | A | B | C | ød1 | E1 | E2 | F |
|-----------|-----|-----|----|-----|----|----|----|
| EZ 1632 | 157 | 90 | 78 | 4 | 30 | 53 | 58 |
| EZ 1643 | 157 | 99 | 78 | 4 | 30 | 53 | 58 |
| EZ 1653 | 157 | 104 | 78 | 4 | 30 | 53 | 58 |
| EZ 3243 | 179 | 118 | 88 | 4 | 35 | 61 | 60 |
| EZ 3253 | 179 | 121 | 88 | 4 | 35 | 61 | 60 |



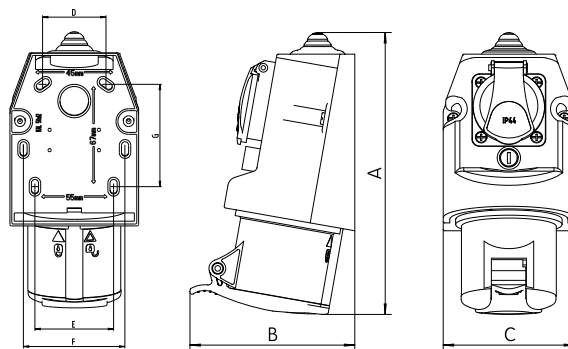
Wall sockets IP44

| Type/(mm) | A | B | C | ød1 | E | I | Pg | Modification |
|-----------|-----|-----|----|-----|----|----|-----|--------------|
| EZ3232 | 155 | 101 | 82 | 5,2 | 67 | 34 | P21 | A |



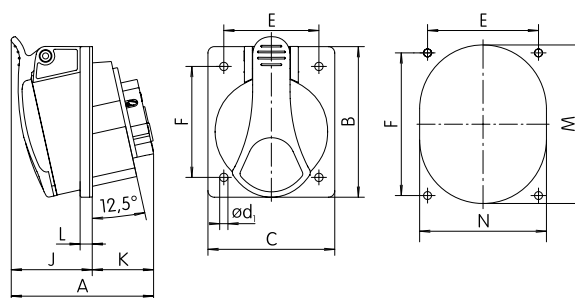
Combinated sockets IP44

| Type \ (mm) | A | B | C | D | E | F | G |
|--------------------|-----|-----|----|----|----|----|----|
| EZCZ (EZCZ-S) 16xx | 182 | 113 | 90 | 45 | 55 | 71 | 67 |
| EZCZ (EZCZ-S) 32xx | 193 | 118 | 90 | 45 | 55 | 71 | 67 |



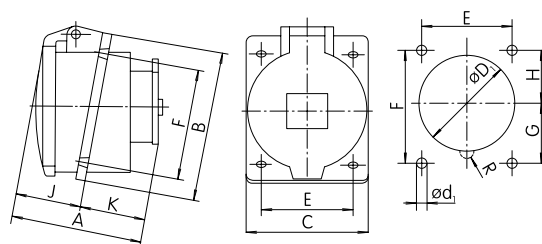
Built-in sockets IP54

| Type \ (mm) | A | B | C | øD1 | J | E | F | K | L | M | N |
|-------------|-----|-----|----|-----|----|----|----|----|----|----|----|
| EE 1643 | 73 | 85 | 75 | 5,2 | 42 | 60 | 60 | 31 | 7 | 66 | 58 |
| EE 1653 | 75 | 85 | 75 | 5,2 | 43 | 60 | 60 | 32 | 7 | 72 | 64 |
| EE 3243 | 90 | 95 | 80 | 5,2 | 52 | 60 | 70 | 38 | 8 | 78 | 68 |
| EE 3253 | 92 | 95 | 80 | 5,2 | 53 | 60 | 70 | 39 | 8 | 84 | 70 |
| EZ 3253 | 179 | 121 | 4 | 35 | 4 | 35 | 88 | 4 | 35 | 61 | 60 |



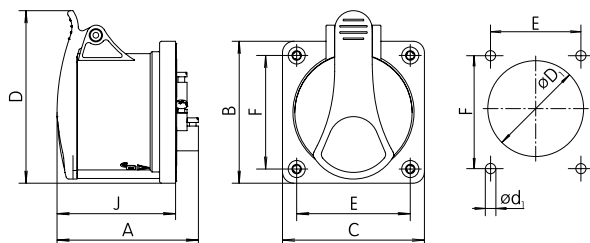
Built-in sockets IP54

| Type \ (mm) | A | B | C | øD1 | øD1 | E | F | G | H | J | K |
|-------------|----|----|----|-----|-----|----|----|----|----|----|----|
| EE 1632 | 61 | 85 | 75 | 56 | 5,5 | 60 | 60 | 30 | 30 | 32 | 29 |
| EE 3232 | 84 | 95 | 80 | 68 | 5,5 | 60 | 70 | 38 | 32 | 42 | 42 |



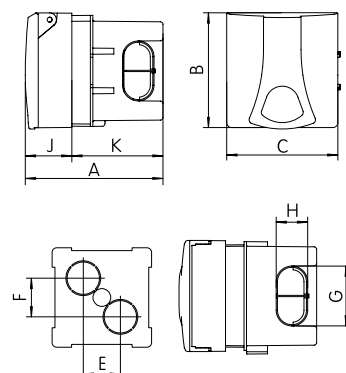
Built-in sockets IP54, STRAIGHT

| Type \ (mm) | A | B | C | øD1 | øD1 | D | E | F | J |
|-------------|----|----|----|-----|-----|-----|----|----|----|
| EER 1632 | 76 | 75 | 75 | 57 | 4,2 | 88 | 60 | 60 | 61 |
| EER 1643 | 76 | 75 | 75 | 57 | 4,2 | 88 | 60 | 60 | 61 |
| EER 1653 | 77 | 75 | 75 | 57 | 4,2 | 91 | 60 | 60 | 63 |
| EER 3243 | 91 | 75 | 75 | 64 | 4,2 | 96 | 60 | 60 | 71 |
| EER 3253 | 93 | 75 | 75 | 64 | 4,2 | 103 | 60 | 60 | 75 |



Flush mounted boxes with socket IP44

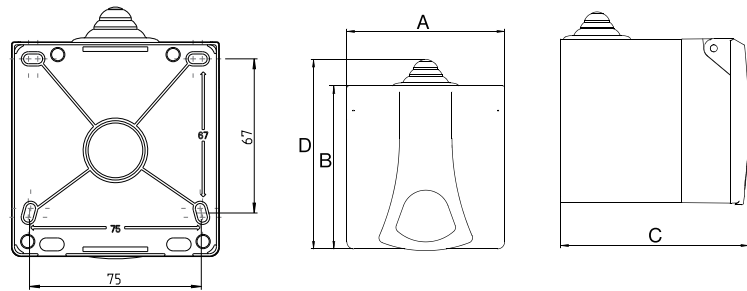
| Type \ (mm) | A | B | C | E | F | G | H | J | K |
|-------------|-------|----|----|----|----|------|------|------|------|
| EZB xxxx | 115,5 | 93 | 90 | 30 | 30 | 48,5 | 25,5 | 37,7 | 73,8 |



Technical data

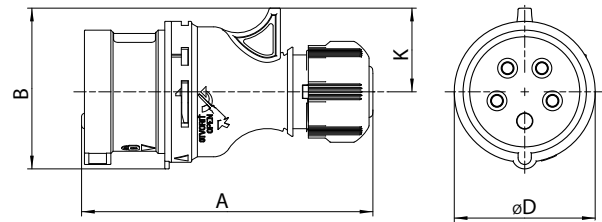
Surface mounted boxes with socket IP44

| Type \ (mm) | A | B | C | D |
|-------------|----|----|-----|-----|
| EZBN 165 | 90 | 93 | 106 | 108 |
| EZBN 1643 | 90 | 93 | 106 | 108 |
| EZBN 1653 | 90 | 93 | 106 | 108 |
| EZBN 3243 | 90 | 93 | 106 | 108 |
| EZBN 3253 | 90 | 93 | 106 | 108 |



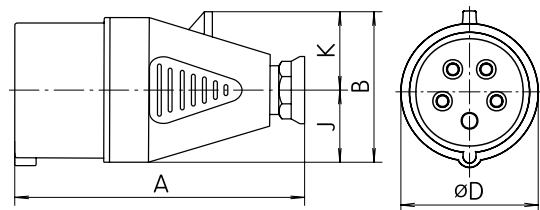
Plugs IP44

| Type \ (mm) | A | B | ØD | K |
|-------------------|-----|------|----|----|
| EV 1632 | 126 | 64 | 64 | 32 |
| EV 1643 | 132 | 66 | 64 | 34 |
| EV 1653/ EVO 1653 | 132 | 73 | 64 | 38 |
| EV 3243 | 162 | 79 | 73 | 41 |
| EV 3253/ EVO 3253 | 162 | 86,5 | 73 | 45 |



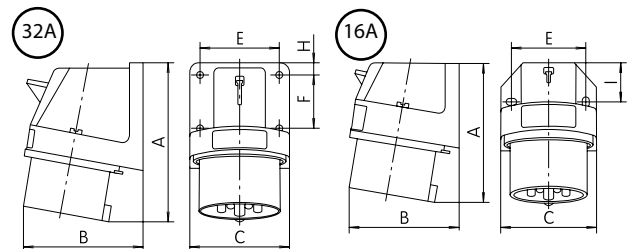
Plugs IP44

| Type \ (mm) | A | B | ØD | J | K | Pg |
|-------------|-----|----|----|----|----|-----|
| EV 3232 | 154 | 77 | 72 | 36 | 41 | P21 |



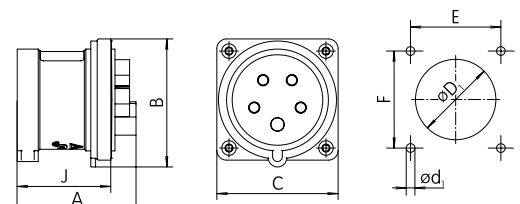
Built-in appliance inlets IP44, ANGLED

| Type \ (mm) | A | B | C | E | F | I |
|-------------|-----|----|------|----|----|------|
| ER 1632 | 91 | 68 | 57,2 | 45 | - | 20 |
| ER 164x | 97 | 77 | 65,2 | 50 | - | 27,5 |
| ER 1653 | 98 | 79 | 65,2 | 50 | - | 27,5 |
| ER 3232 | 128 | 88 | 72,5 | 58 | 40 | 9 |
| ER 324x | 128 | 88 | 72,3 | 58 | 40 | 9 |
| ER 3253 | 129 | 90 | 72,3 | 58 | 40 | 9 |



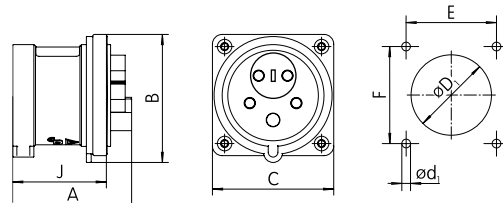
Built-in appliance inlets IP44, STRAIGHT

| Type \ (mm) | A | B | C | ød1 | øD1 | E | F | J |
|-------------|----|------|----|-----|-----|----|----|----|
| ERR 1632 | 67 | 75 | 75 | 4,2 | 57 | 60 | 60 | 48 |
| ERR 1643 | 66 | 75 | 75 | 4,2 | 57 | 60 | 60 | 48 |
| ERR 1653 | 66 | 75 | 75 | 4,2 | 57 | 60 | 60 | 48 |
| ERR 3243 | 73 | 75,3 | 75 | 4,2 | 64 | 60 | 60 | 58 |
| ERR 3253 | 73 | 80 | 75 | 4,2 | 64 | 60 | 60 | 58 |



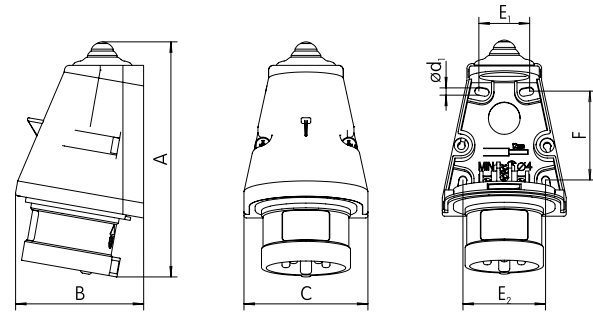
Built-in appliance inlets IP44, STRAIGHT, phase reverse

| Type \ (mm) | A | B | C | ød1 | øD1 | E | F | J |
|-------------|----|----|----|-----|-----|----|----|----|
| ERRO 1653 | 66 | 75 | 75 | 4,2 | 57 | 60 | 60 | 48 |
| ERRO 3253 | 73 | 80 | 75 | 4,2 | 64 | 60 | 60 | 58 |



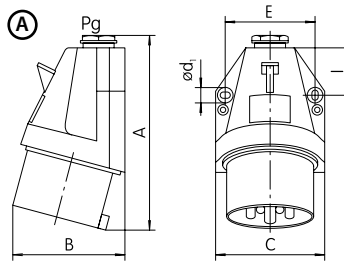
Wall plugs IP44

| Type \ (mm) | A | B | C | ød1 | E1 | E2 | F |
|-------------|-----|----|----|-----|----|----|----|
| EP 1632 | 147 | 81 | 78 | 4 | 30 | 53 | 58 |
| EP 1643 | 146 | 81 | 78 | 4 | 30 | 53 | 58 |
| EP 1653 | 146 | 81 | 78 | 4 | 30 | 53 | 58 |
| EP 3243 | 168 | 95 | 88 | 4 | 35 | 61 | 60 |
| EP 3253 | 168 | 95 | 88 | 4 | 35 | 61 | 60 |



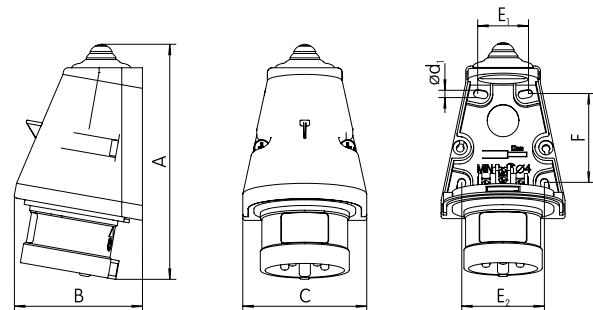
Wall plugs IP44

| Type \ (mm) | A | B | C | ød1 | E | I | Pg | Modification |
|-------------|-----|-----|----|-----|----|----|-----|--------------|
| EP 3232 | 147 | 105 | 82 | 5,2 | 67 | 34 | P21 | A |



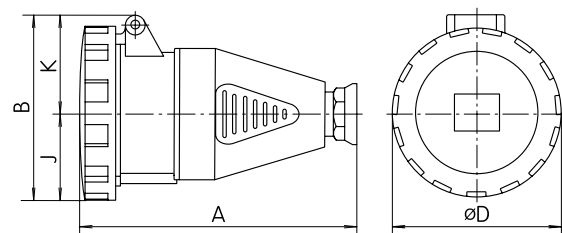
Wall plugs IP44

| Type \ (mm) | A | B | C | ød1 | E1 | E2 | F |
|-------------|-----|----|----|-----|----|----|----|
| EPO 1653 | 146 | 81 | 78 | 4 | 30 | 53 | 58 |
| EPO 3253 | 168 | 95 | 88 | 4 | 35 | 61 | 60 |



Connecting sockets IP67

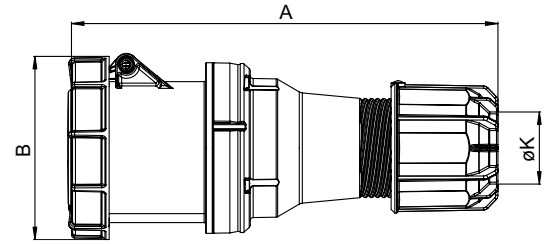
| Type \ (mm) | A | B | øD | J | K | Pg |
|-------------|-----|-------|-----|------|------|----|
| ESH 1632 | 136 | 78,5 | 70 | 35 | 43,5 | 16 |
| ESH 1643 | 142 | 85,5 | 78 | 39 | 46,5 | 16 |
| ESH 1653 | 145 | 92,5 | 87 | 43,5 | 49 | 16 |
| ESH 3232 | 166 | 101,5 | 93 | 46,5 | 55 | 21 |
| ESH 3243 | 166 | 101,5 | 93 | 46,5 | 55 | 21 |
| ESH 3253 | 168 | 108 | 100 | 50 | 58 | 21 |
| ESH 6343 | 224 | - | 113 | 196 | - | 29 |



Technical data

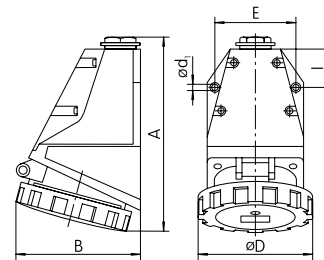
Connecting sockets IP67

| Type \ (mm) | A | B | øK |
|-------------|-----|-----|---------|
| ESH 12543 | 269 | 114 | 22,5-50 |
| ESH 12553 | 269 | 114 | 22,5-50 |



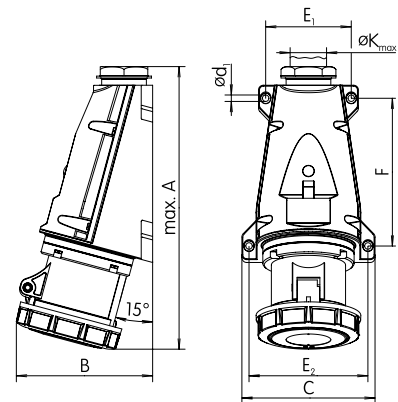
Wall sockets IP67

| Type \ (mm) | A | B | D | ød1 | E | I | Pg |
|-------------|-----|-----|------|-----|------|------|-----|
| EZH 1632 | 146 | 90 | 78,5 | 4,8 | 65,6 | 32 | P16 |
| EZH 1643 | 148 | 92 | 78,5 | 4,8 | 65,6 | 32 | P16 |
| EZH 1653 | 148 | 96 | 87 | 4,8 | 65,6 | 32 | P16 |
| EZH 3232 | 173 | 111 | 92,5 | 5,2 | 71 | 35,5 | P21 |
| EZH 3243 | 173 | 111 | 92,5 | 5,2 | 71 | 35,5 | P21 |
| EZH 3253 | 175 | 114 | 100 | 5,2 | 71 | 35,5 | P21 |
| EZH 6343 | 225 | 131 | 132 | 7 | 114 | 90,3 | P36 |



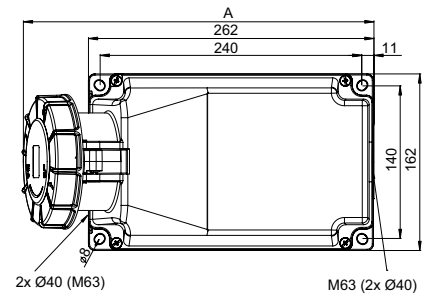
Wall sockets IP67

| Type \ (mm) | A | B | C | ød1 | E1 | E2 | F | øK |
|-------------|-----|-----|-----|-----|----|-----|-----|----|
| EZH 6353 | 300 | 145 | 140 | 6,5 | 90 | 125 | 155 | 35 |



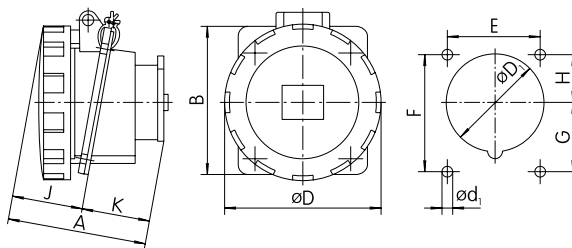
Wall sockets IP67

| Type \ (mm) | A | B=height |
|-------------|-----|----------|
| EZH 12543 | 322 | 205 |
| EZH12553 | 322 | 205 |



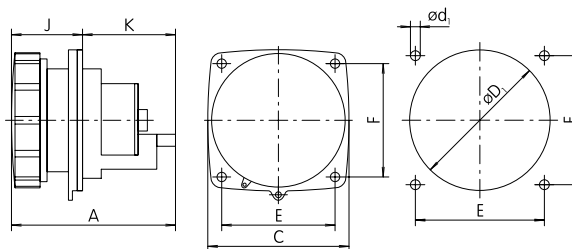
Built-in sockets IP67

| Type \ (mm) | A | B | øD | øD1 | ød1 | E | F | G | H | J | K |
|-------------|----|----|------|-----|-----|----|----|----|----|----|----|
| EEH 1632 | 78 | 85 | 75 | 56 | 5,5 | 60 | 60 | 30 | 30 | 39 | 39 |
| EEH 1643 | 80 | 85 | 78 | 62 | 5,5 | 60 | 60 | 31 | 29 | 41 | 39 |
| EEH 1653 | 81 | 85 | 87 | 65 | 5,5 | 60 | 60 | 31 | 29 | 42 | 39 |
| EEH 3232 | 89 | 95 | 92,5 | 68 | 5,5 | 60 | 70 | 38 | 32 | 47 | 42 |
| EEH 3243 | 89 | 95 | 92,5 | 68 | 5,5 | 60 | 70 | 38 | 32 | 47 | 42 |
| EEH 3253 | 91 | 95 | 100 | 74 | 5,5 | 60 | 70 | 36 | 34 | 49 | 42 |



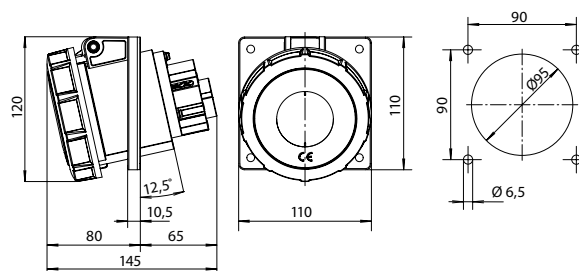
Built-in sockets IP67

| Type \ (mm) | A | C | ød1 | øD1 | E | F | J | K |
|-------------|-----|-----|-----|-----|----|----|----|----|
| EEH 634x | 131 | 111 | 6,8 | 93 | 90 | 90 | 52 | 79 |



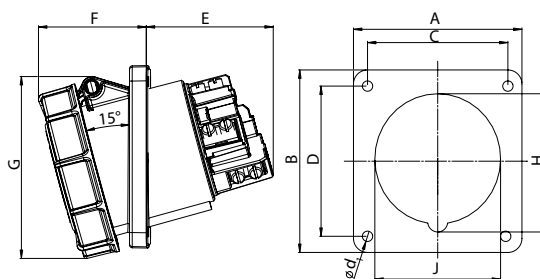
Built-in sockets IP67

| |
|----------|
| EEH 6353 |
|----------|



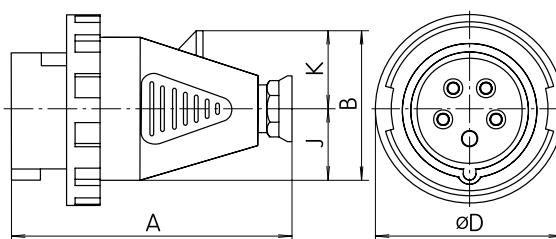
Built-in sockets IP67

| Type \ (mm) | A | B | C | D | E | F | G | H | J | ød1 |
|-------------|-----|-----|----|----|----|----|-----|-----|----|-----|
| EEH 12543-p | 114 | 114 | 90 | 90 | 92 | 77 | 130 | 102 | 90 | 7 |
| EEH 12553-p | 114 | 114 | 90 | 90 | 92 | 77 | 130 | 102 | 90 | 7 |



Plugs IP67

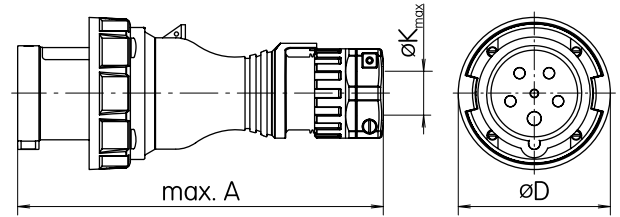
| Type \ (mm) | A | øD | J | K | Pg |
|-------------|-----|------|------|----|-----|
| EVH 1632 | 123 | 70 | 28,5 | 31 | P16 |
| EVH 1643 | 129 | 78 | 32,5 | 35 | P16 |
| EVH 1653 | 129 | 87 | 32,5 | 39 | P16 |
| EVH 3232 | 154 | 92,5 | 36 | 41 | P21 |
| EVH 3243 | 154 | 92,5 | 36 | 41 | P21 |
| EVH 3253 | 154 | 100 | 36 | 46 | P21 |
| EVH 6343 | 224 | 113 | 195 | - | P29 |



Technical data

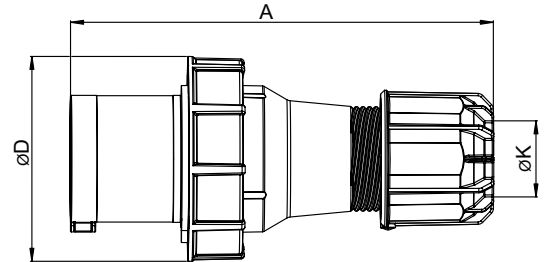
Plugs IP67

| Type \ (mm) | A | øD | øK |
|-------------|-----|-----|----|
| EVH 6353 | 265 | 110 | 32 |



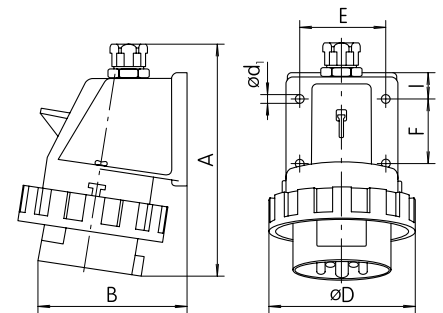
Plugs IP67

| Type \ (mm) | A | øD | øK |
|-------------|-----|-----|---------|
| EVH 12543 | 270 | 131 | 22,5-50 |
| EVH 12553 | 270 | 131 | 22,5-50 |



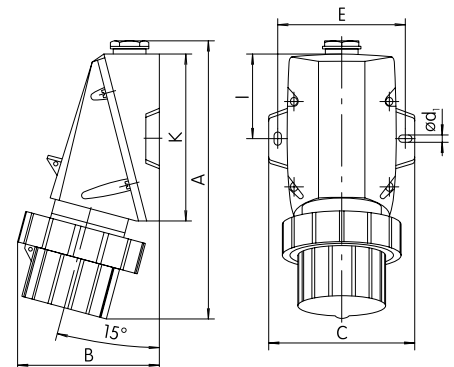
Wall plugs IP67

| Type \ (mm) | A | B | ød1 | øD | E | F | I | Pg |
|-------------|-----|-----|-----|------|----|----|----|-----|
| EPH 1632 | 140 | 74 | 4,8 | 70 | 45 | 30 | 15 | P16 |
| EPH 1643 | 143 | 92 | 5,2 | 78 | 50 | 30 | 18 | P16 |
| EPH 1653 | 143 | 98 | 5,2 | 87 | 50 | 30 | 18 | P16 |
| EPH 3243 | 165 | 108 | 5,2 | 92,5 | 58 | 40 | 20 | P21 |
| EPH 3253 | 165 | 113 | 5,2 | 100 | 58 | 40 | 20 | P21 |



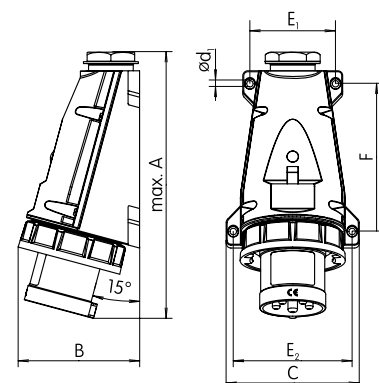
Wall plugs IP67

| Type \ (mm) | A | B | C | D1 | E | I | K | Pg |
|-------------|-----|-----|-----|----|------|------|-------|-----|
| EPH 6343 | 260 | 122 | 103 | 7 | 91,5 | 72,2 | 144,5 | P29 |
| EPH 6345 | 260 | 122 | 103 | 7 | 91,5 | 72,2 | 144,5 | P29 |



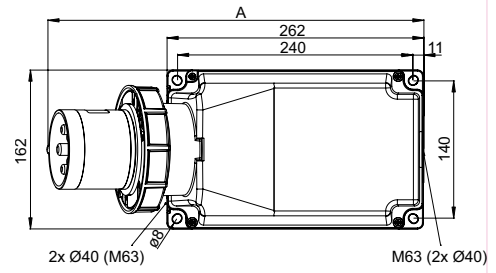
Wall plugs IP67

| Type \ (mm) | A | B | C | ød1 | E1 | E2 | F | K |
|-------------|-----|-----|-----|-----|----|-----|-----|----|
| EPH 6353 | 280 | 130 | 140 | 6,5 | 90 | 125 | 155 | 35 |



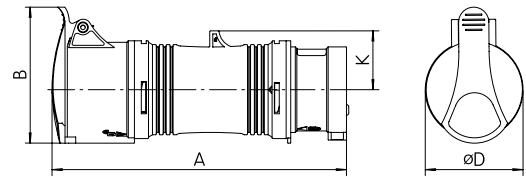
Wall plugs IP67

| Type \ (mm) | A | B=height |
|-------------|-----|----------|
| EPH 12543 | 387 | 209 |
| EPH 12553 | 387 | 209 |



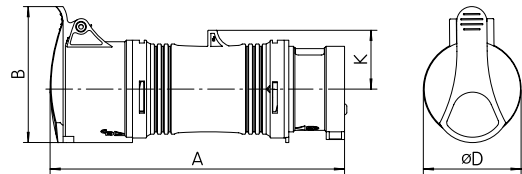
Adapters

| Type \ (mm) | A | B | ØD | K |
|-------------|-----|----|----|----|
| EA 1653/43 | 180 | 82 | 64 | 39 |
| EA 3253/43 | 235 | 96 | 73 | 45 |



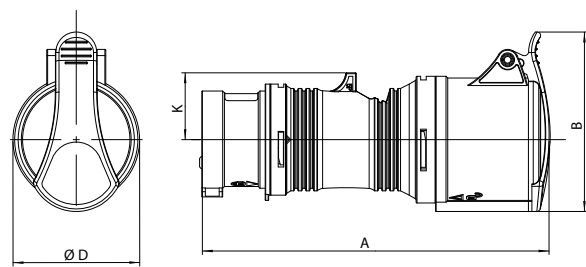
Adapters

| Type \ (mm) | A | B | ØD | K |
|--------------|-----|----|----|----|
| EA 1653/43-0 | 180 | 82 | 64 | 39 |
| EA 3253/43-0 | 235 | 96 | 73 | 45 |



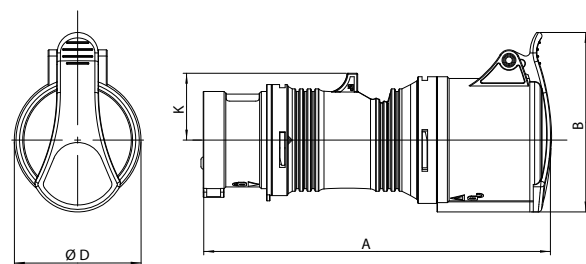
Adapters

| Type \ (mm) | A | B | ØD | K |
|-------------|-----|-----|----|----|
| EA 16-32/4 | 198 | 96 | 65 | 34 |
| EA 16-32/5 | 200 | 103 | 73 | 37 |



Adapters

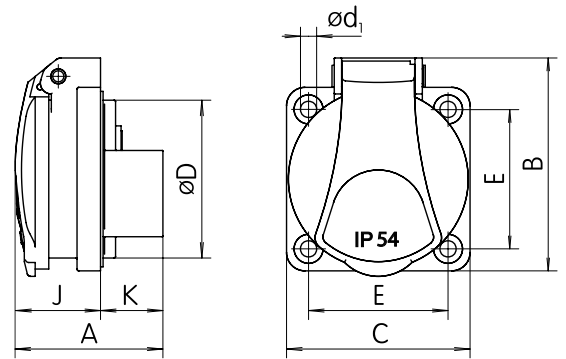
| Type \ (mm) | A | B | ØD | K |
|-------------|-----|-----|----|----|
| EA 16-32/5 | 200 | 103 | 73 | 37 |



Technical data

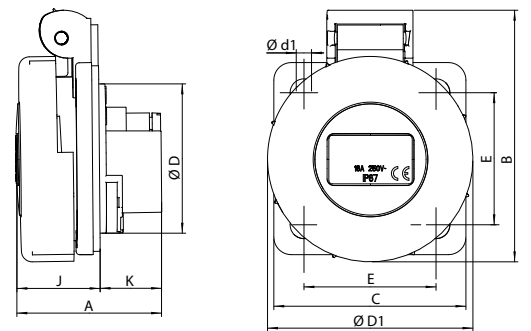
Built-in sockets schuko

| Type \ (mm) | A | B | C | ØD | Ød1 | E | J | K |
|-------------|----|------|----|----|-----|----|----|----|
| EE 16 S | 43 | 59,5 | 50 | 43 | 4,5 | 38 | 26 | 17 |



Built-in sockets schuko

| Type \ (mm) | A | B | C | ØD | Ød1 | E | J | K | ØD1 |
|-------------|----|----|----|----|-----|----|----|----|-----|
| EEH 16 C | 42 | 73 | 55 | 43 | 4,5 | 38 | 24 | 18 | 60 |
| EEH 16 S | 48 | 73 | 55 | 43 | 4,5 | 38 | 24 | 24 | 60 |



Unischuko plug IP67

Type

EEVG 16 - Unischuko plug IP67

