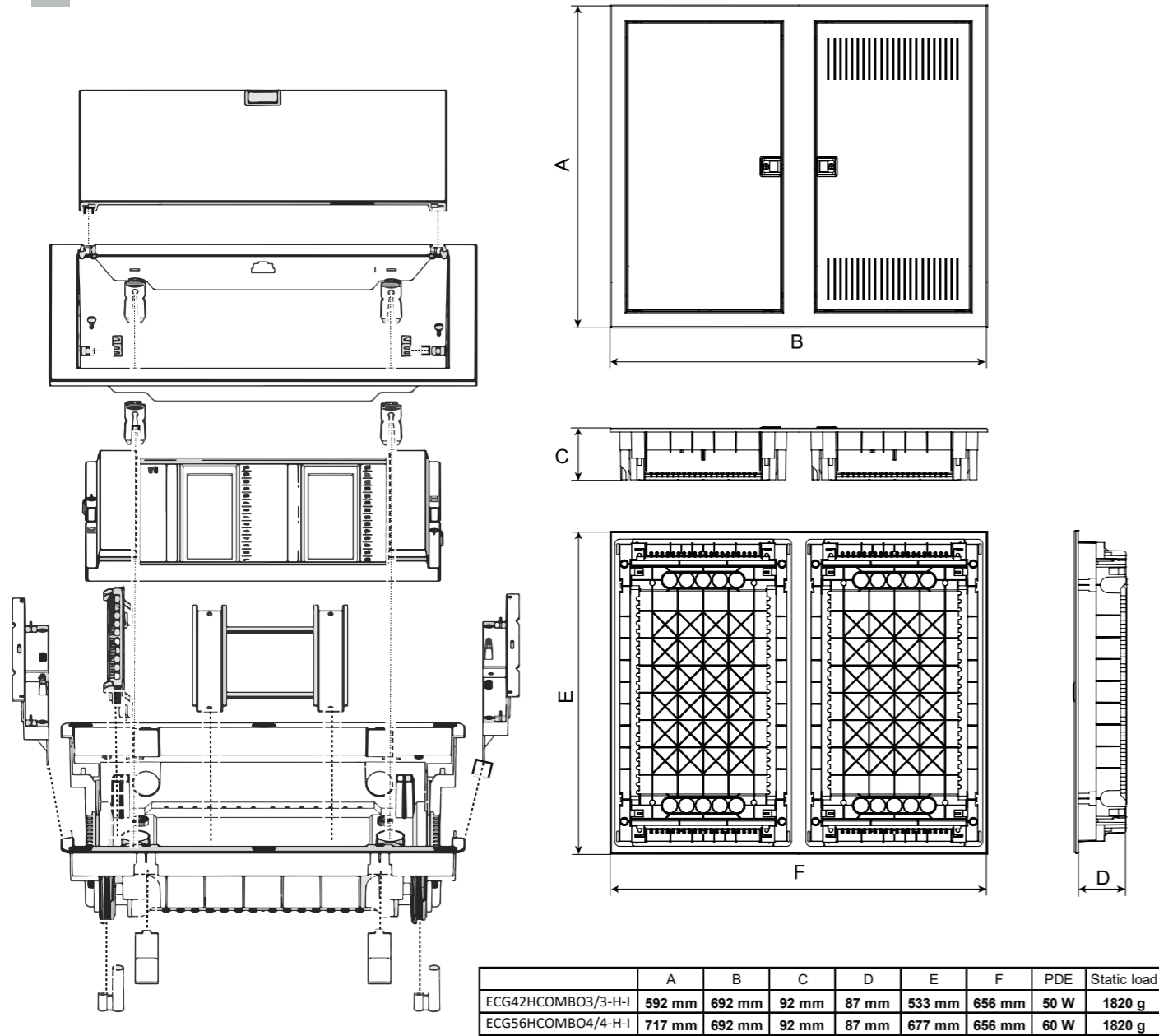
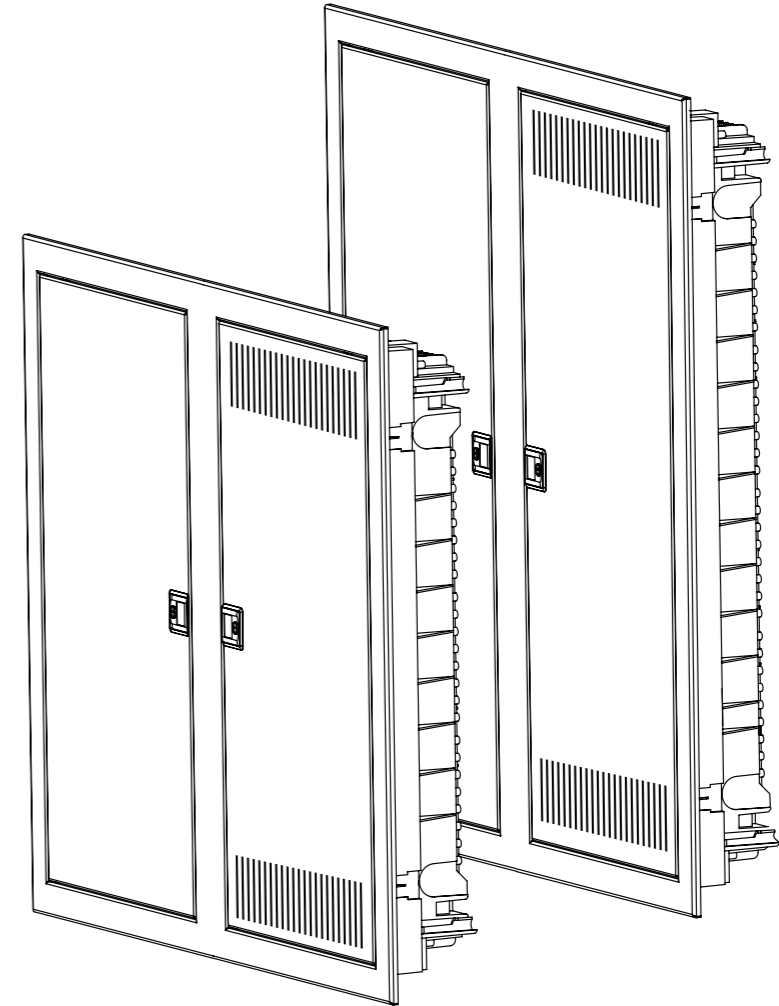


ETI



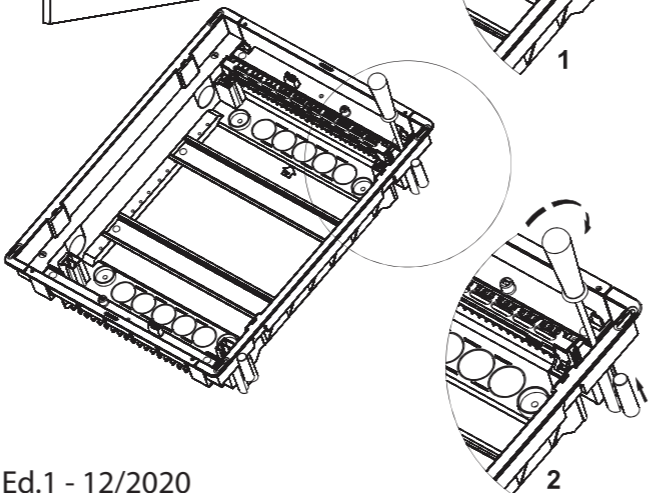
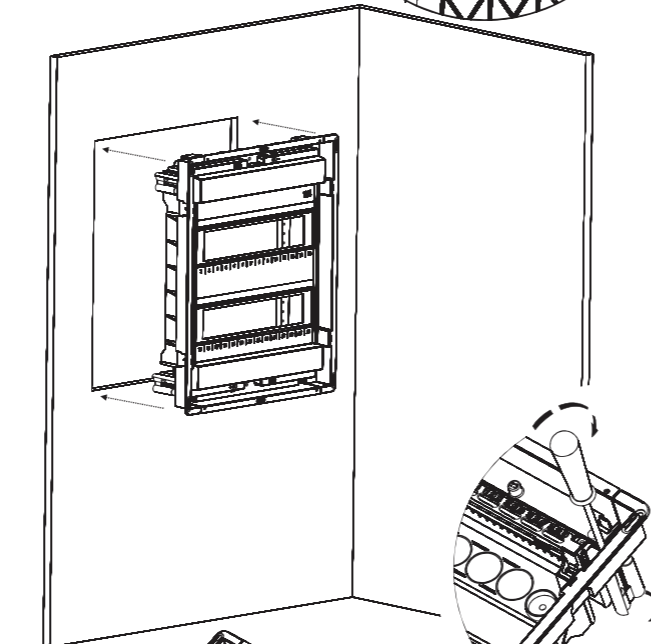
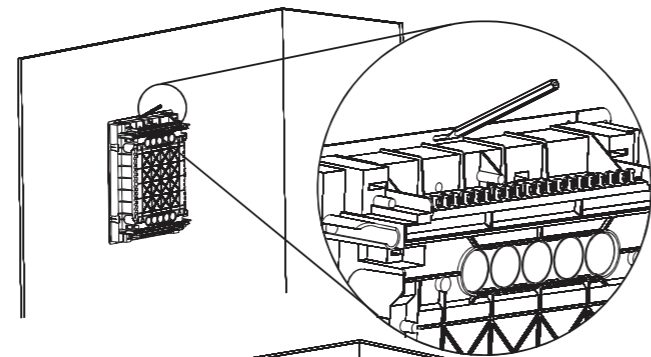
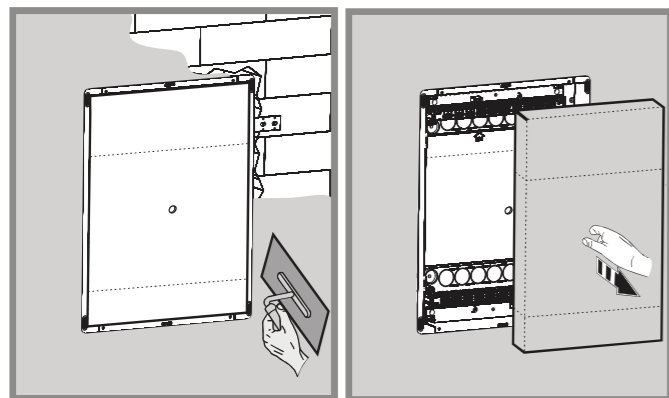
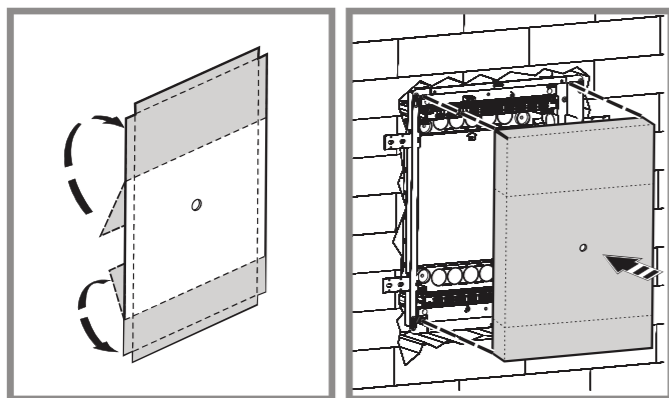
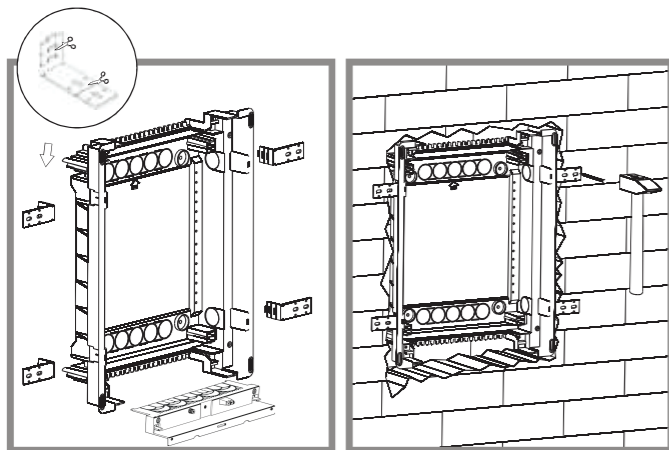
For indoor locations (S 50% RH at max. +40°C or for example 90% RH at +20°C)
 Temperature range: -25°C ... +60 °C. Rating Voltage: AC 400 V; IP40, Class II; IK08
 According to: IEC 60670; IEC 62208



ETI Elektroelement d.o.o
 Obrezija 5
 1411 Izlake
 Slovenia

ETI Polam Sp.z.o.o.
 ul. Jana Pawła II 18
 06-100 Pułusk
 Polska

TOOLS



Ed.1 - 12/2020

